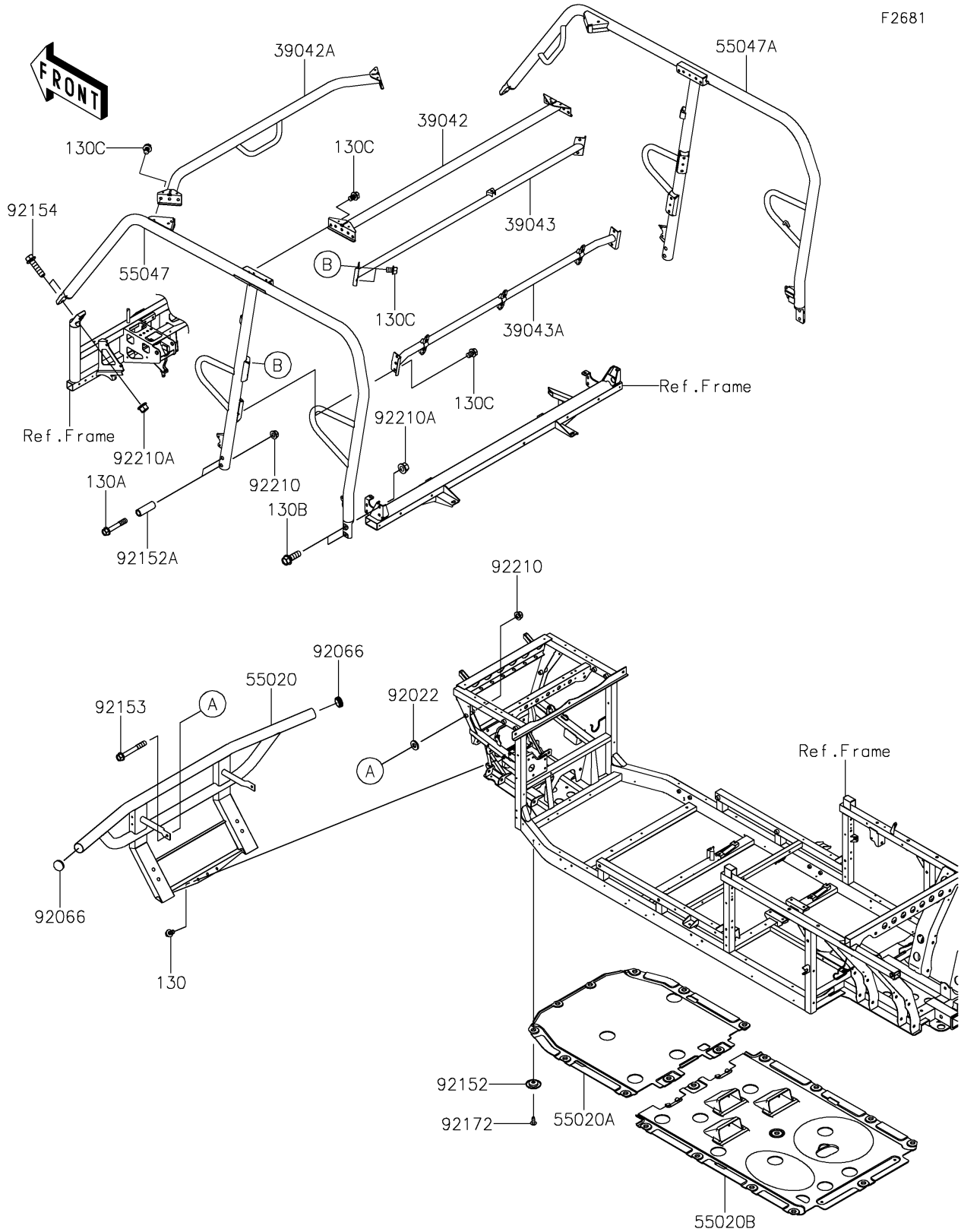


2020 MULE PRO-FXT™ PARTS DIAGRAM

Guards/Cab Frame

F2681



2020 MULE PRO-FXT™ PARTS LIST

Guards/Cab Frame

| ITEM NAME | PART NUMBER | QUANTITY |
|--|----------------|----------|
| BOLT-FLANGED,8X16 (Ref # 130) | 130BA0816 | 3 |
| BOLT-FLANGED,10X60 (Ref # 130A) | 130BA1060 | 4 |
| BOLT-FLANGED,12X35 (Ref # 130B) | 130BA1235 | 4 |
| BOLT-FLANGED,10X14 (Ref # 130C) | 130CA1014 | 20 |
| CROSSMEMBER,RR,T.BLACK (Ref # 39042) | 39042-0015-388 | 1 |
| CROSSMEMBER,FR,T.BLACK (Ref # 39042A) | 39042-0016-388 | 1 |
| CROSSMEMBER-COMP,B-P.,UPP,BLK (Ref # 39043) | 39043-0016-388 | 1 |
| CROSSMEMBER-COMP,B-P.,LWR,BLK (Ref # 39043A) | 39043-0017-388 | 1 |
| GUARD,FR PIPE,T.BLACK (Ref # 55020) | 55020-0933-388 | 1 |
| GUARD,SKID PLATE (Ref # 55020A) | 55020-0934 | 1 |
| GUARD,SKID PLATE (Ref # 55020B) | 55020-0935 | 1 |
| BAR-COMP,LH,T.BLACK (Ref # 55047) | 55047-0361-388 | 1 |
| BAR-COMP,RH,T.BLACK (Ref # 55047A) | 55047-0362-388 | 1 |
| WASHER,10X22X3 (Ref # 92022) | 92022-1365 | 2 |
| PLUG (Ref # 92066) | 92066-0769 | 2 |
| COLLAR (Ref # 92152) | 92152-0784 | 21 |
| COLLAR,10.5X16X47 (Ref # 92152A) | 92152-1800 | 4 |
| BOLT,FLANGED,10X75 (Ref # 92153) | 92153-1384 | 2 |
| BOLT,FLANGED,12X45 (Ref # 92154) | 92154-1420 | 4 |
| SCREW,TAPPING,6X16 (Ref # 92172) | 92172-0739 | 21 |
| NUT,LOCK,FLANGED,10MM (Ref # 92210) | 92210-0276 | 6 |
| NUT,12MM (Ref # 92210A) | 92210-0603 | 8 |