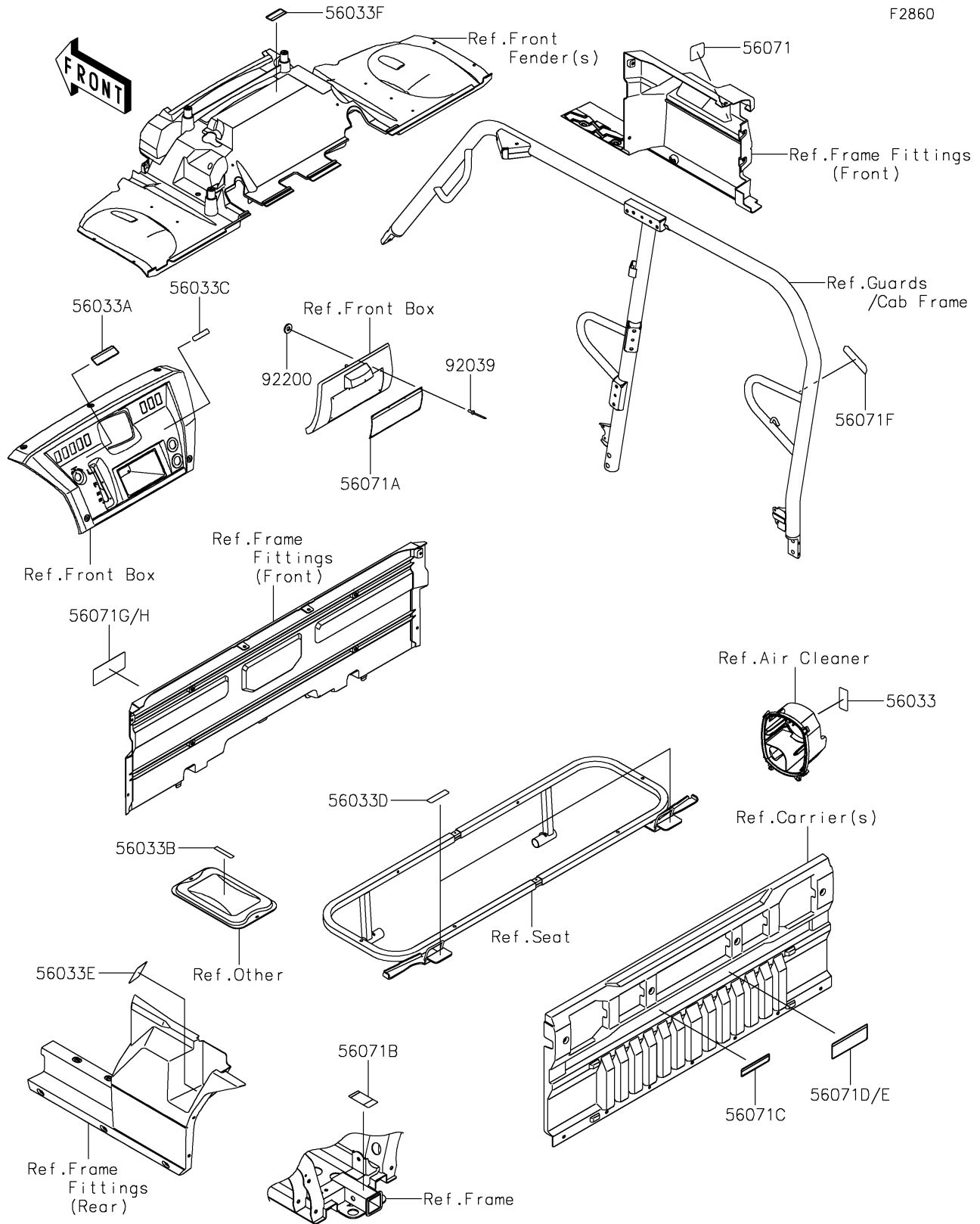


2020 MULE PRO-FXT™ PARTS DIAGRAM

Labels



F2860

2020 MULE PRO-FXT™ PARTS LIST

Labels

| ITEM NAME | PART NUMBER | QUANTITY |
|---|-------------|----------|
| LABEL-MANUAL,AIR CLEANER (Ref # 56033) | 56033-0724 | 1 |
| LABEL-MANUAL,SHIFT NOTICE (Ref # 56033A) | 56033-0822 | 1 |
| LABEL-MANUAL,STORAGE MAX LOAD (Ref # 56033B) | 56033-0966 | 1 |
| LABEL-MANUAL,DC OUTLET (Ref # 56033C) | 56033-0997 | 1 |
| LABEL-MANUAL,REAR SEAT (Ref # 56033D) | 56033-0999 | 2 |
| LABEL-MANUAL,DRIVE BELT (Ref # 56033E) | 56033-1000 | 1 |
| LABEL-MANUAL,FRONT HOOD (Ref # 56033F) | 56033-1379 | 1 |
| LABEL-WARNING,GASOLINE (Ref # 56071) | 56071-0588 | 1 |
| LABEL-WARNING,GENERAL (Ref # 56071A) | 56071-0709 | 1 |
| LABEL-WARNING,TRAILER HITCH (Ref # 56071B) | 56071-0711 | 1 |
| LABEL-WARNING,SCREEN OPERATION (Ref # 56071C) | 56071-0712 | 1 |
| LABEL-WARNING,CARGO CAPA. (Ref # 56071D) | 56071-0713 | 1 |
| LABEL-WARNING,CARGO CAPA. (Ref # 56071E) | 56071-0714 | 1 |
| LABEL-WARNING,BED OPERATION (Ref # 56071F) | 56071-0717 | 2 |
| LABEL-WARNING,TIRE&LOAD (Ref # 56071G) | 56071-0719 | 1 |
| LABEL-WARNING,TIRE&LOAD (Ref # 56071H) | 56071-0721 | 1 |
| RIVET,3.2X8 (Ref # 92039) | 92039-3763 | 6 |
| WASHER,3.5X8X1 (Ref # 92200) | 92200-1251 | 6 |