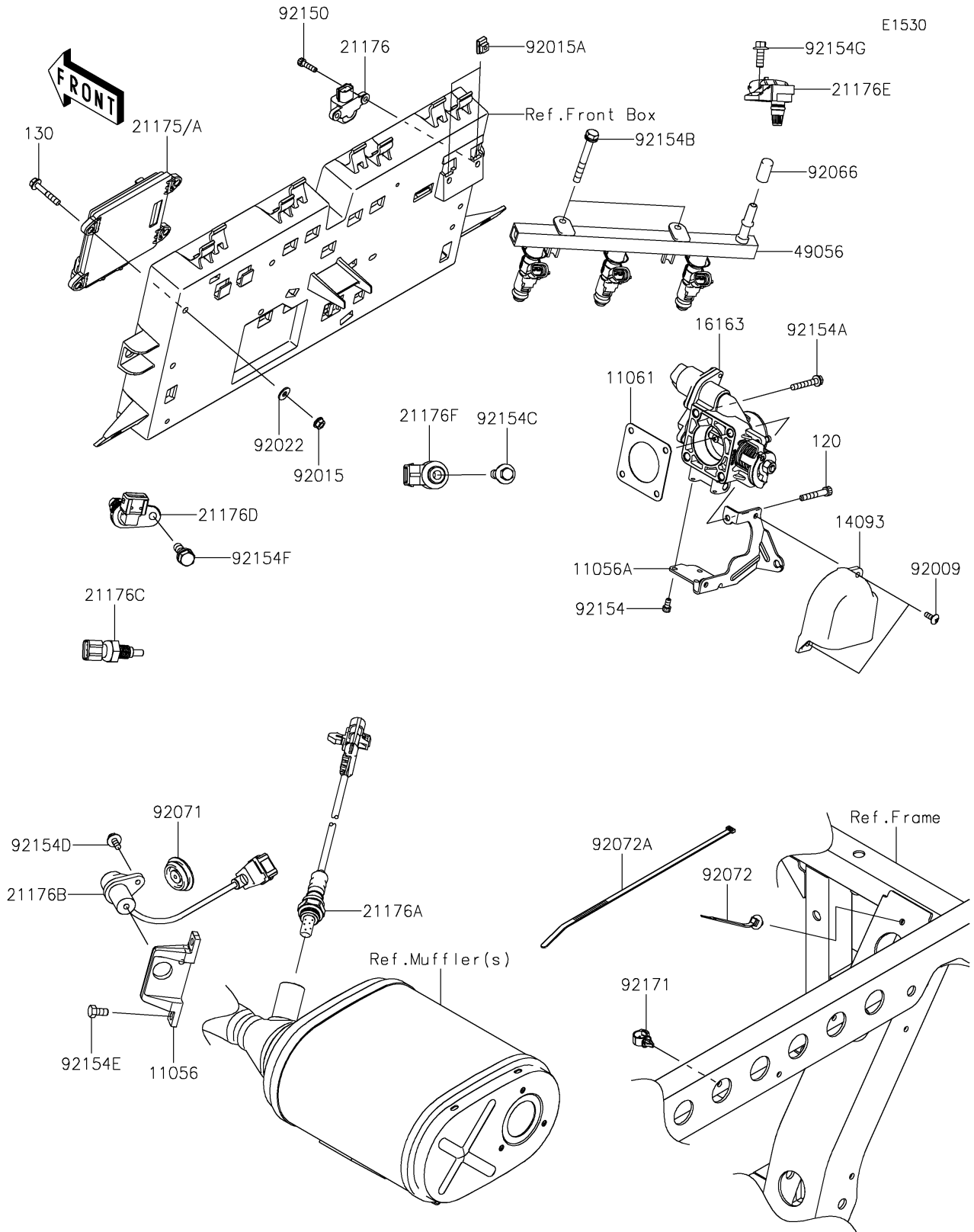


# 2020 MULE PRO-FXT™ EPS PARTS DIAGRAM

## Fuel Injection



## 2020 MULE PRO-FXT™ EPS PARTS LIST

### Fuel Injection

| ITEM NAME                                  | PART NUMBER | QUANTITY |
|--|-------------|----------|
| BRACKET,CRANKSHAFT POSITION (Ref # 11056)  | 11056-2680  | 1        |
| BRACKET,THROTTLE CABLE (Ref # 11056A)      | 11056-7495  | 1        |
| GASKET,THROTTLE (Ref # 11061)              | 11061-0954  | 1        |
| BOLT-SOCKET,6X40 (Ref # 120)               | 120CA0640   | 1        |
| BOLT-FLANGED,6X35 (Ref # 130)              | 130BA0635   | 4        |
| COVER,THROTTLE (Ref # 14093)               | 14093-0043  | 1        |
| THROTTLE-ASSY (Ref # 16163)                | 16163-0816  | 1        |
| CONTROL UNIT-ELECTRONIC,DFI (Ref # 21175)  | 21175-1167  | 1        |
| CONTROL UNIT-ELECTRONIC,DFI (Ref # 21175A) | 21175-1180  | 1        |
| SENSOR,VEHICLE-DOWN (Ref # 21176)          | 21176-0026  | 1        |
| SENSOR,OXYGEN (Ref # 21176A)               | 21176-0773  | 1        |
| SENSOR,CRANKSHAFT POSITION (Ref # 21176B)  | 21176-0795  | 1        |
| SENSOR,WATER TEMP (Ref # 21176C)           | 21176-0796  | 1        |
| SENSOR,CAMSHAFT POSITION (Ref # 21176D)    | 21176-0797  | 1        |
| SENSOR,AIR INTAKE TEMP (Ref # 21176E)      | 21176-0798  | 1        |
| SENSOR,EXPLOSION (Ref # 21176F)            | 21176-0799  | 1        |
| PIPE-INJECTION (Ref # 49056)               | 49056-0038  | 1        |
| SCREW,5X14,WHITE (Ref # 92009)             | 92009-1366  | 2        |
| NUT,FLANGED,6MM (Ref # 92015)              | 92015-1367  | 4        |
| NUT,5MM (Ref # 92015A)                     | 92015-1627  | 2        |
| WASHER (Ref # 92022)                       | 92022-2247  | 4        |
| PLUG (Ref # 92066)                         | 92066-0810  | 1        |
| GROMMET (Ref # 92071)                      | 92071-0730  | 1        |
| BAND,OS170-FT7(BLACK) (Ref # 92072)        | 92072-1414  | 1        |
| BAND,L=292.1 (Ref # 92072A)                | 92072-3509  | 3        |
| BOLT,SOCKET,5X20 (Ref # 92150)             | 92150-1019  | 2        |
| BOLT,SOCKET,5X10 (Ref # 92154)             | 92154-1396  | 3        |
| BOLT,6X38 (Ref # 92154A)                   | 92154-1589  | 3        |
| BOLT,6X50 (Ref # 92154B)                   | 92154-1591  | 2        |

## 2020 MULE PRO-FXT™ EPS PARTS LIST

### Fuel Injection

| ITEM NAME                        | PART NUMBER | QUANTITY |
|----------------------------------|-------------|----------|
| BOLT,FLANGED,8X30 (Ref # 92154C) | 92154-1592  | 1        |
| BOLT,FLANGED,6X12 (Ref # 92154D) | 92154-1593  | 1        |
| BOLT,6X12 (Ref # 92154E)         | 92154-1594  | 2        |
| BOLT,8X16 (Ref # 92154F)         | 92154-1595  | 1        |
| BOLT,FLANGED,6X16 (Ref # 92154G) | 92154-1596  | 1        |
| CLAMP,13MM DIA. (Ref # 92171)    | 92171-1415  | 1        |