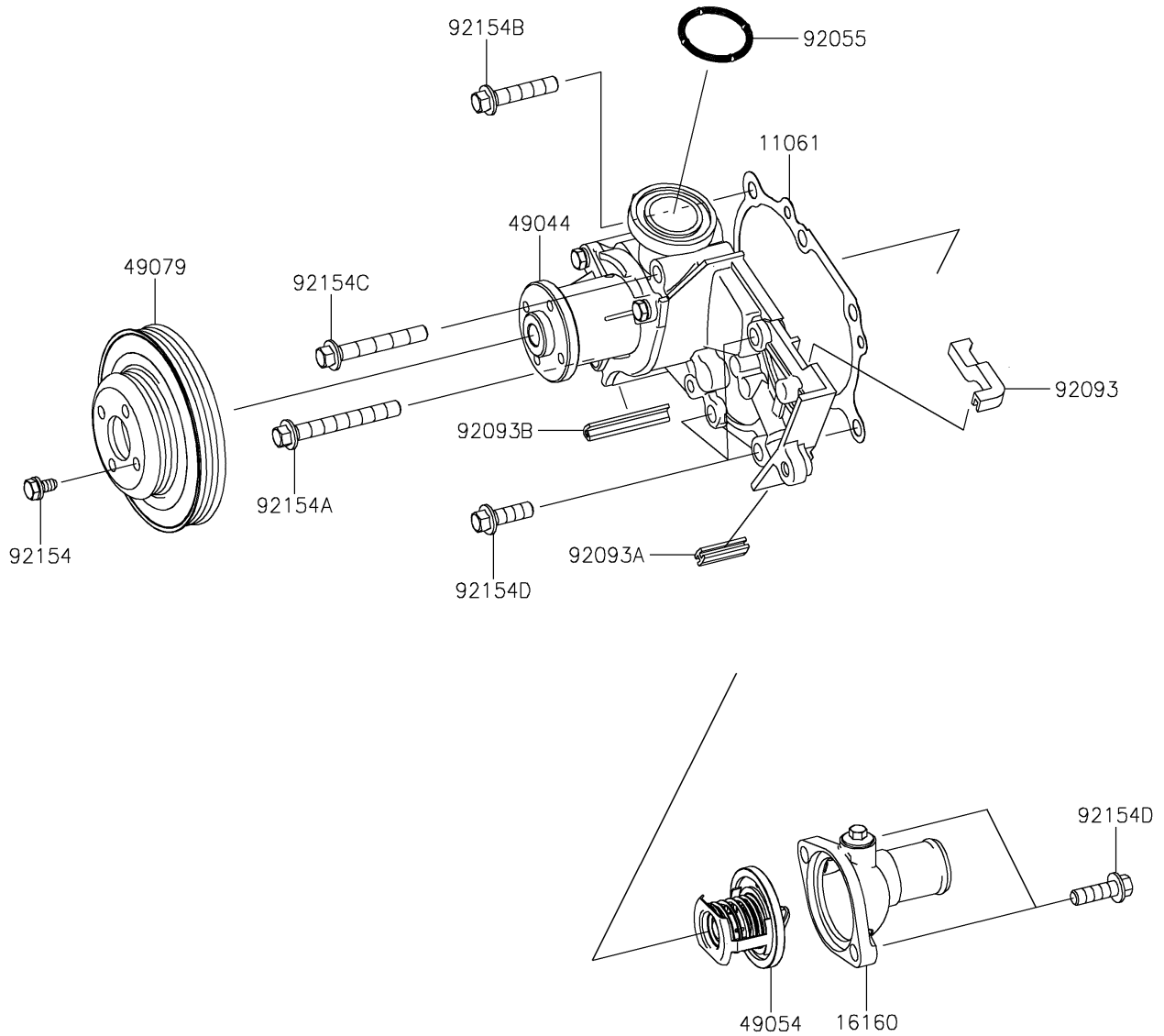


# 2019 MULE PRO-FXT™ EPS PARTS DIAGRAM

Water Pump

E3031



# 2019 MULE PRO-FXT™ EPS PARTS LIST

Water Pump

ITEM NAME	PART NUMBER	QUANTITY
-----------	-------------	----------