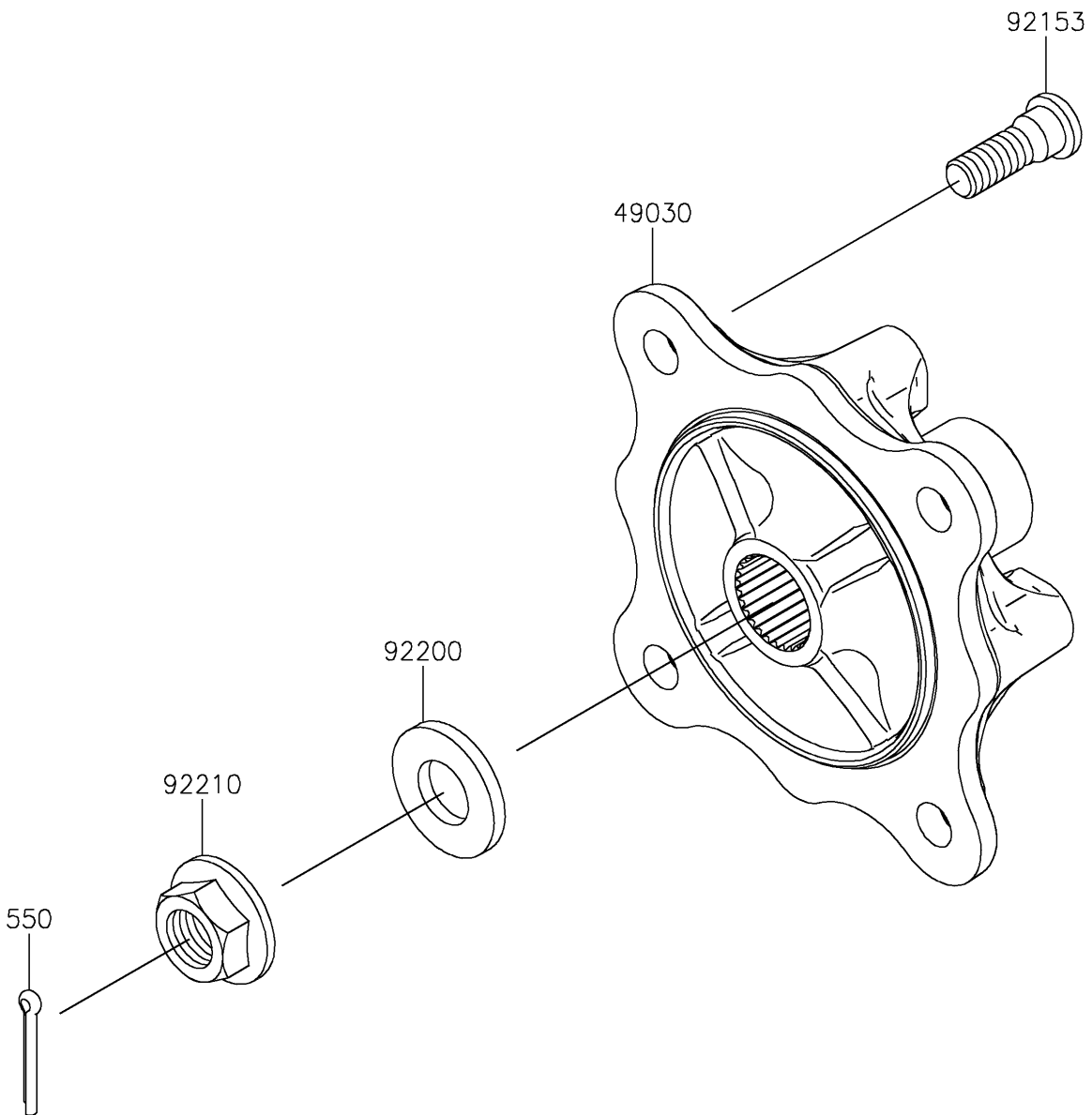


# 2019 MULE PRO-FXT™ EPS PARTS DIAGRAM

Rear Hubs/Brakes

F2240



# 2019 MULE PRO-FXT™ EPS PARTS LIST

Rear Hubs/Brakes

ITEM NAME	PART NUMBER	QUANTITY
-----------	-------------	----------