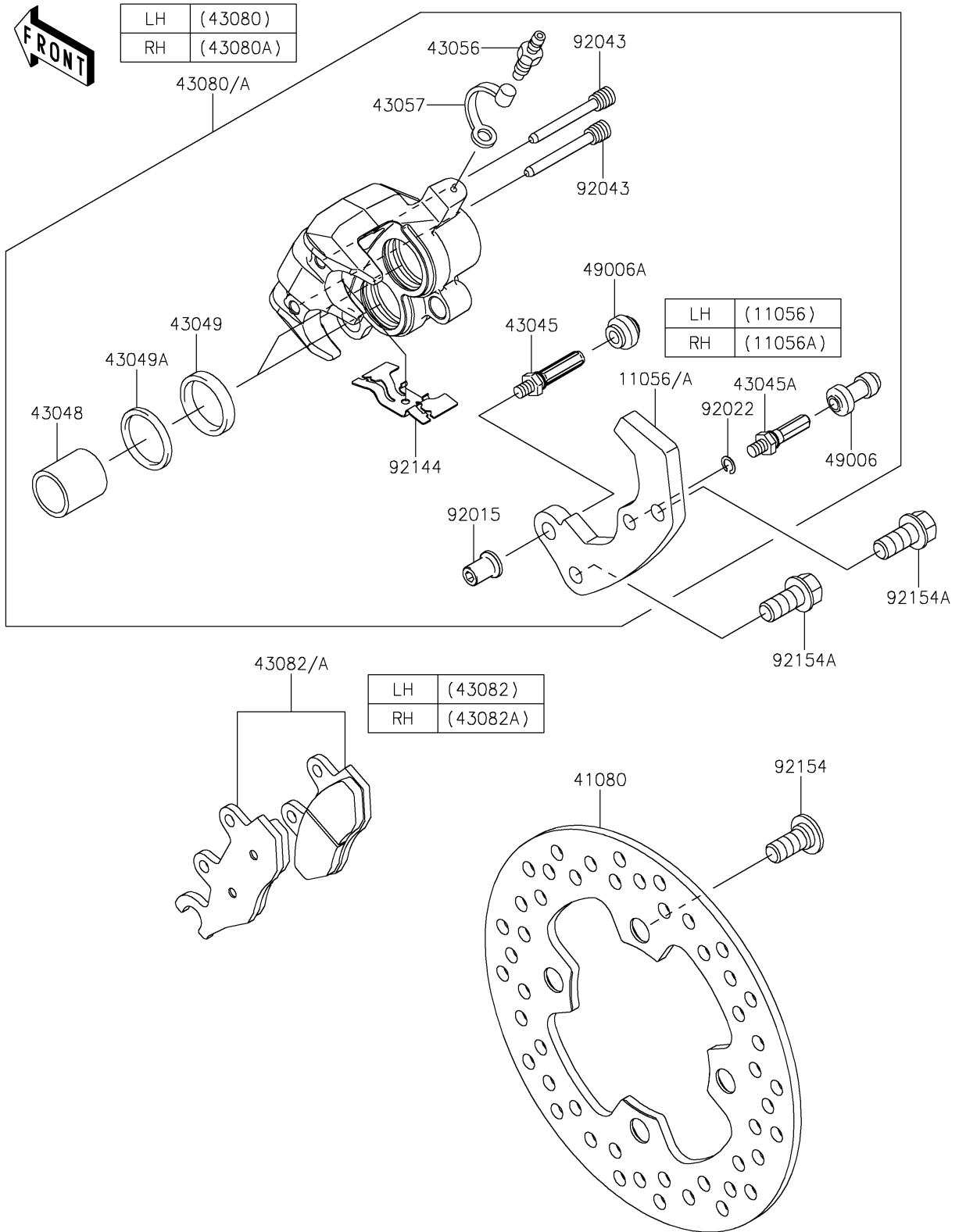


# 2019 MULE PRO-FXT™ EPS PARTS DIAGRAM

Front Brake

F2292



# 2019 MULE PRO-FXT™ EPS PARTS LIST

Front Brake

ITEM NAME	PART NUMBER	QUANTITY
-----------	-------------	----------