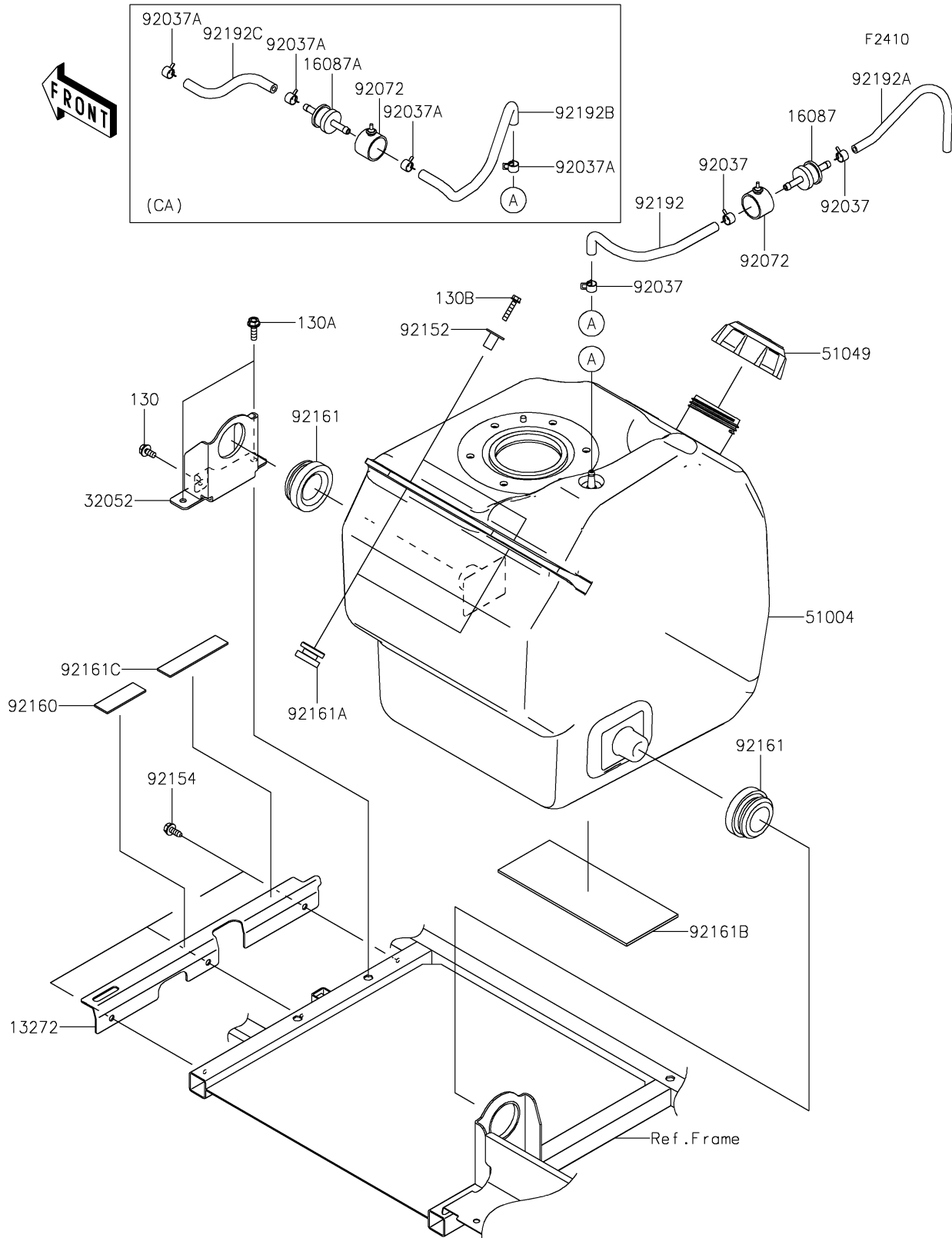


2019 MULE PRO-FXT™ EPS PARTS DIAGRAM

Fuel Tank(BJF/BKF)



2019 MULE PRO-FXT™ EPS PARTS LIST

Fuel Tank(BJF/BKF)

| ITEM NAME | PART NUMBER | QUANTITY |
|-----------|-------------|----------|
|-----------|-------------|----------|