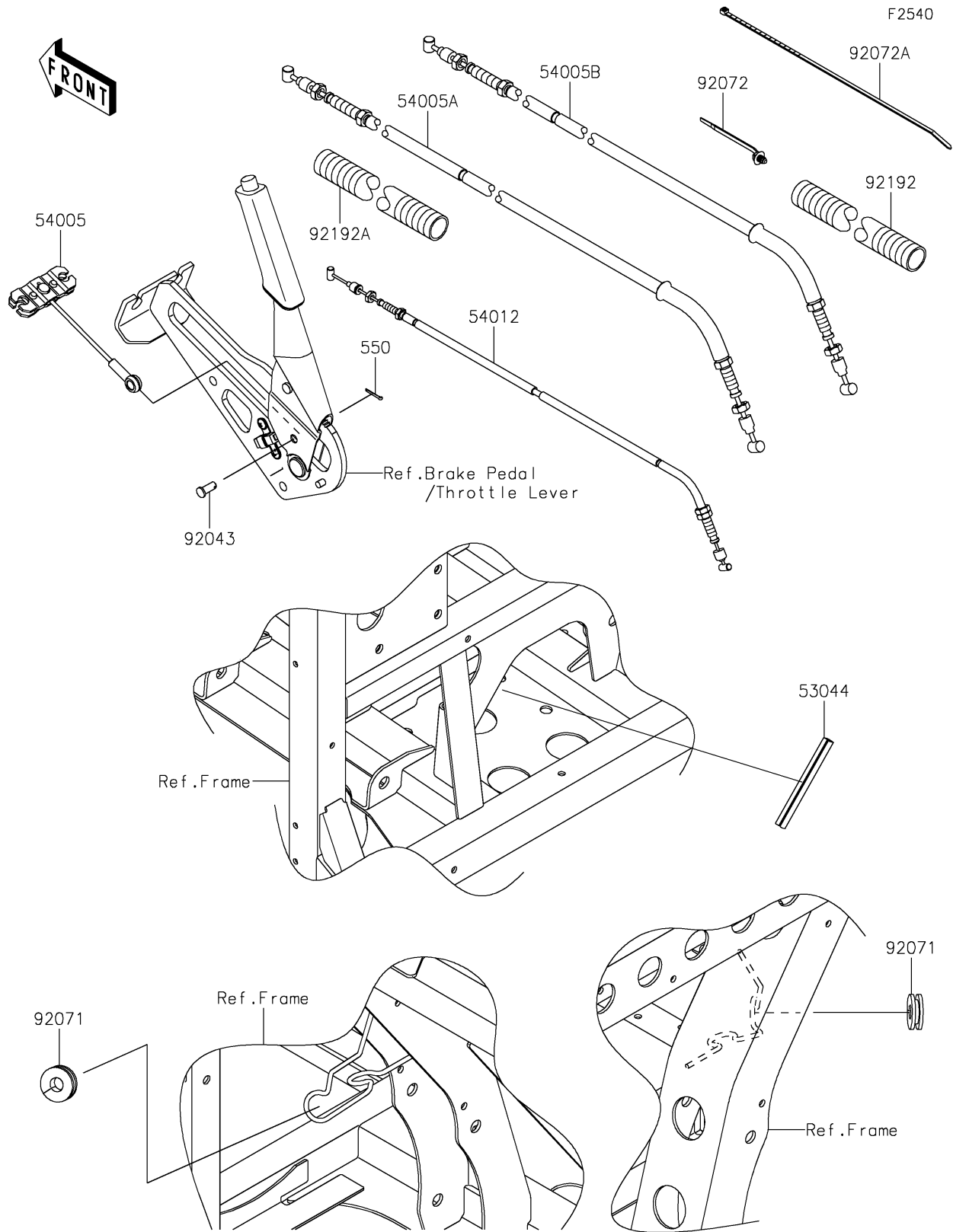


# 2019 MULE PRO-FXT™ EPS PARTS DIAGRAM

## Cables



# 2019 MULE PRO-FXT™ EPS PARTS LIST

Cables

ITEM NAME	PART NUMBER	QUANTITY
-----------	-------------	----------