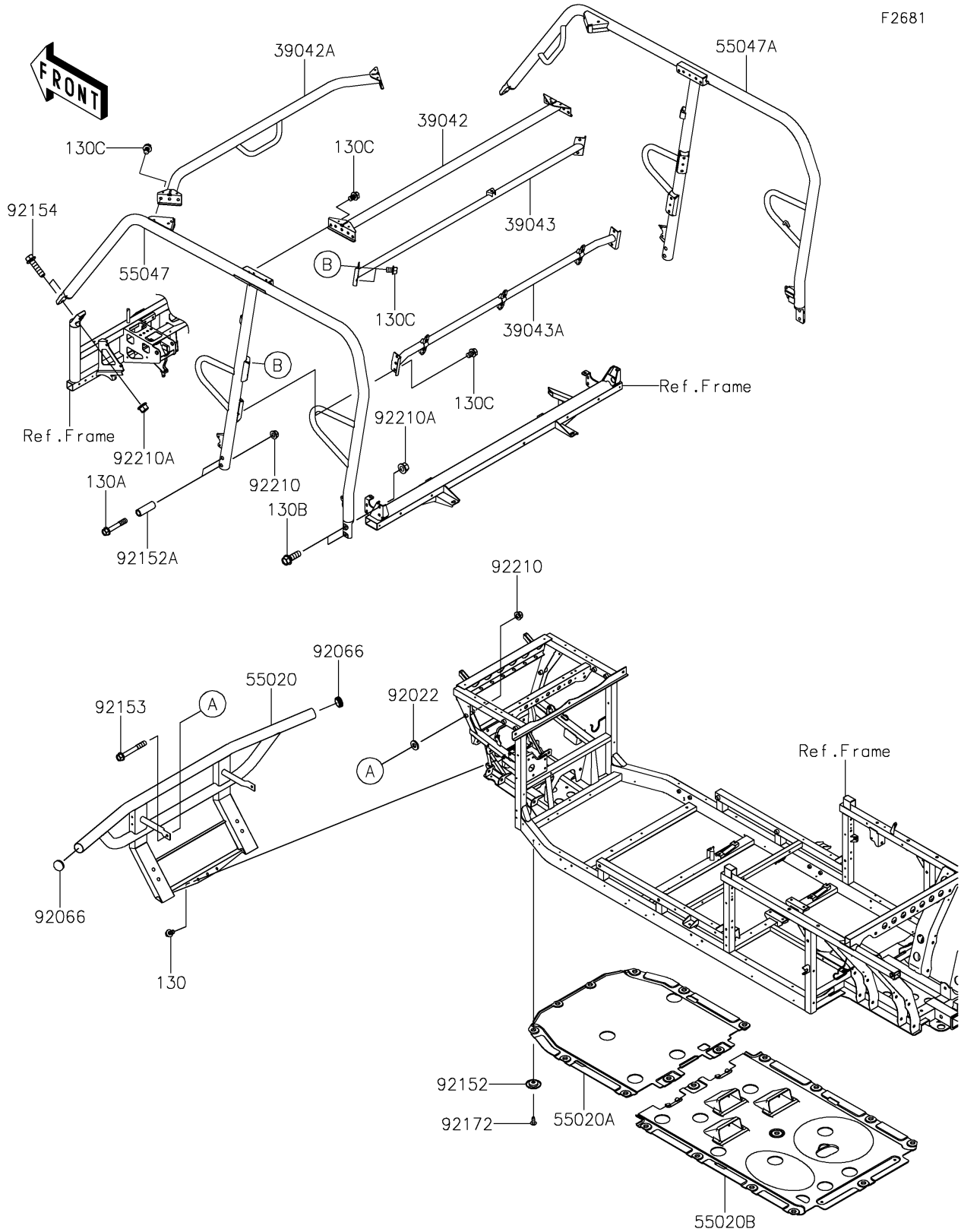


# 2019 MULE PRO-FXT™ EPS PARTS DIAGRAM

Guards/Cab Frame

F2681



# 2019 MULE PRO-FXT™ EPS PARTS LIST

Guards/Cab Frame

ITEM NAME	PART NUMBER	QUANTITY
-----------	-------------	----------