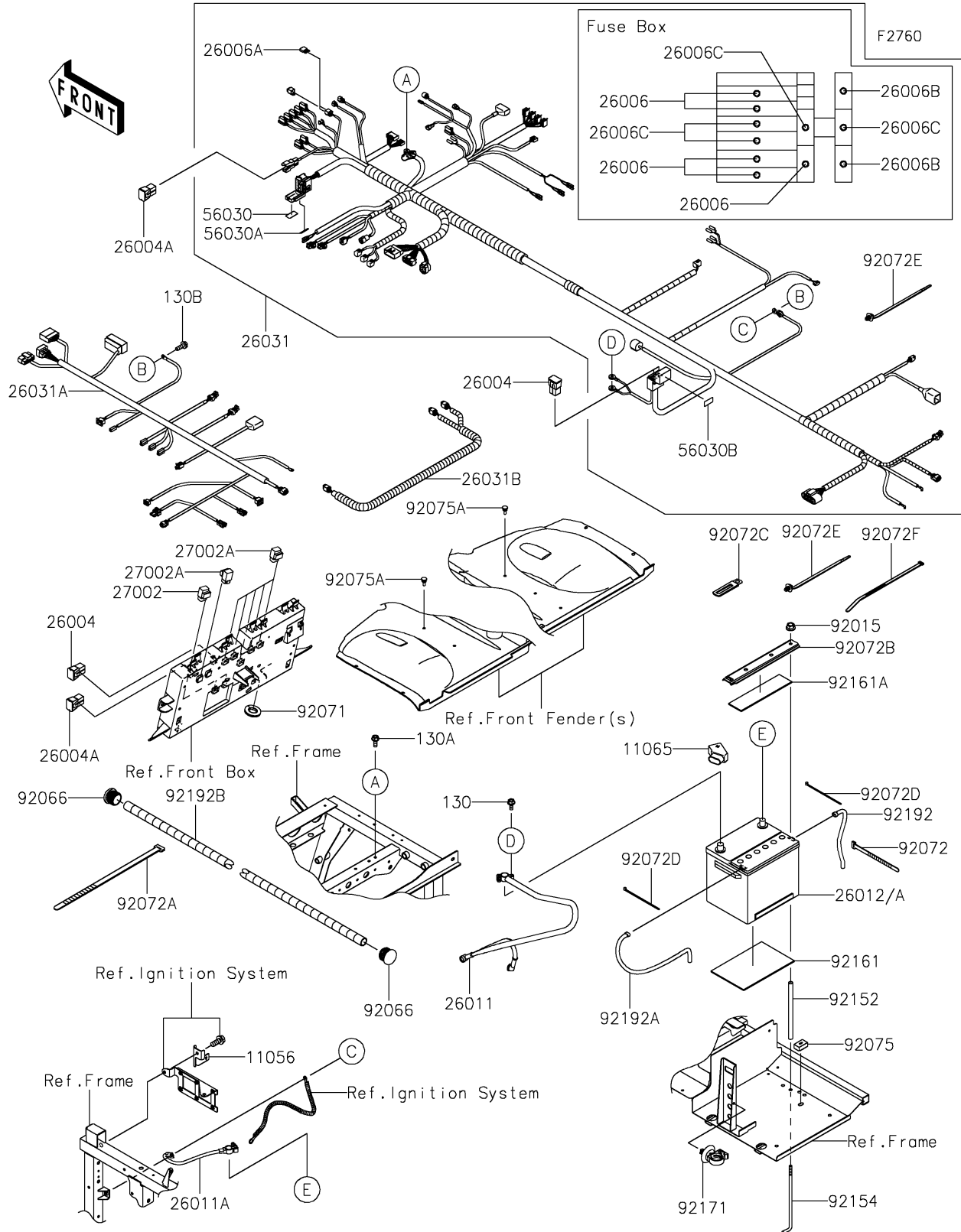


2018 MULE PRO-FXT™ EPS PARTS DIAGRAM

Chassis Electrical Equipment



2018 MULE PRO-FXT™ EPS PARTS LIST

Chassis Electrical Equipment

| ITEM NAME | PART NUMBER | QUANTITY |
|---|-------------|----------|
| BRACKET (Ref # 11056) | 11056-4397 | 1 |
| CAP (Ref # 11065) | 11065-0850 | 1 |
| FUSE-ASSY,60A (Ref # 26004) | 26004-0024 | 3 |
| FUSE-ASSY,40A (Ref # 26004A) | 26004-1093 | 2 |
| FUSE,MINI BLADE,10A,RED (Ref # 26006) | 26006-0009 | 5 |
| FUSE,MINI BLADE,2A,GRAY (Ref # 26006A) | 26006-0052 | 2 |
| FUSE,MINI BLADE,30A,GREEN (Ref # 26006B) | 26006-1080 | 2 |
| FUSE,MINI BLADE,20A,YELLOW (Ref # 26006C) | 26006-3704 | 4 |
| WIRE-LEAD,BATTERY(+) (Ref # 26011) | 26011-0851 | 1 |
| WIRE-LEAD,BATTERY(-) (Ref # 26011A) | 26011-0912 | 1 |
| BATTERY,12V 32AH (Ref # 26012) | 26012-0619 | 1 |
| BATTERY,WET,(26R) (Ref # 26012A) | 26012-7501 | 1 |
| HARNESS,MAIN (Ref # 26031) | 26031-2108 | 1 |
| HARNESS (Ref # 26031A) | 26031-2111 | 1 |
| HARNESS,SUB (Ref # 26031B) | 26031-2226 | 1 |
| RELAY-ASSY (Ref # 27002) | 27002-0022 | 2 |
| RELAY-ASSY (Ref # 27002A) | 27002-1062 | 6 |
| LABEL,FUSE BOX1 (Ref # 56030) | 56030-0850 | 1 |
| LABEL,FUSE BOX2 (Ref # 56030A) | 56030-0854 | 1 |
| LABEL,FUSE CASE (Ref # 56030B) | 56030-0891 | 1 |
| NUT,FLANGED,8MM (Ref # 92015) | 92015-1406 | 1 |
| PLUG (Ref # 92066) | 92066-0908 | 2 |
| GROMMET,22X45X9 (Ref # 92071) | 92071-0729 | 1 |
| BAND,L=123 (Ref # 92072) | 92072-030 | 1 |
| BAND,L=218 (Ref # 92072A) | 92072-032 | 2 |
| BAND (Ref # 92072B) | 92072-0767 | 1 |
| BAND (Ref # 92072C) | 92072-0770 | 4 |
| BAND,92X2.4 (Ref # 92072D) | 92072-0791 | 2 |
| BAND,OS170-FT7(BLACK) (Ref # 92072E) | 92072-1414 | 32 |

2018 MULE PRO-FXT™ EPS PARTS LIST

Chassis Electrical Equipment

| ITEM NAME | PART NUMBER | QUANTITY |
|---------------------------------------|-------------|----------|
| BAND,L=292.1 (Ref # 92072F) | 92072-3509 | 14 |
| BAND,L=292.1 (Ref # 92072F) | 92072-3509 | 15 |
| DAMPER (Ref # 92075) | 92075-099 | 1 |
| DAMPER,6X10X15 (Ref # 92075A) | 92075-1808 | 2 |
| COLLAR,9.4X12.7X190.8 (Ref # 92152) | 92152-1852 | 1 |
| BOLT,BATTERY (Ref # 92154) | 92154-1650 | 1 |
| DAMPER (Ref # 92161) | 92161-0578 | 1 |
| DAMPER (Ref # 92161A) | 92161-1753 | 1 |
| BOLT-FLANGED,6X14 (Ref # 130) | 130BA0614 | 1 |
| BOLT-FLANGED,6X16 (Ref # 130A) | 130BA0616 | 1 |
| BOLT-FLANGED,6X18 (Ref # 130B) | 130BA0618 | 1 |
| CLAMP (Ref # 92171) | 92171-0453 | 1 |
| TUBE,BREATHER,7X10X240 (Ref # 92192) | 92192-1646 | 1 |
| TUBE,BREATHER,7X10X450 (Ref # 92192A) | 92192-1694 | 1 |
| TUBE,CONVOLUTED (Ref # 92192B) | 92192-1814 | 1 |