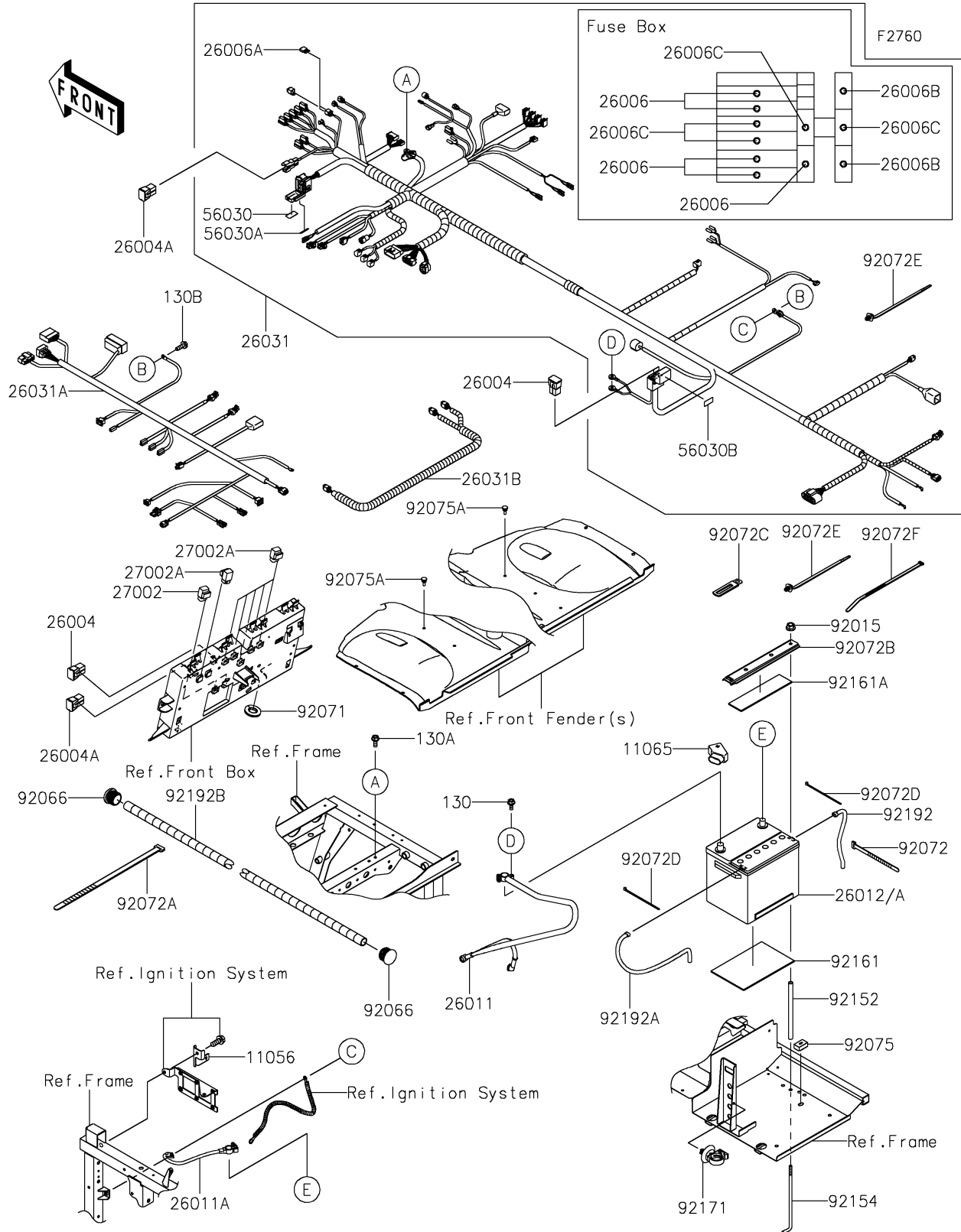


2019 MULE PRO-FXT™ EPS PARTS DIAGRAM

Chassis Electrical Equipment



2019 MULE PRO-FXT™ EPS PARTS LIST

Chassis Electrical Equipment

ITEM NAME	PART NUMBER	QUANTITY
-----------	-------------	----------