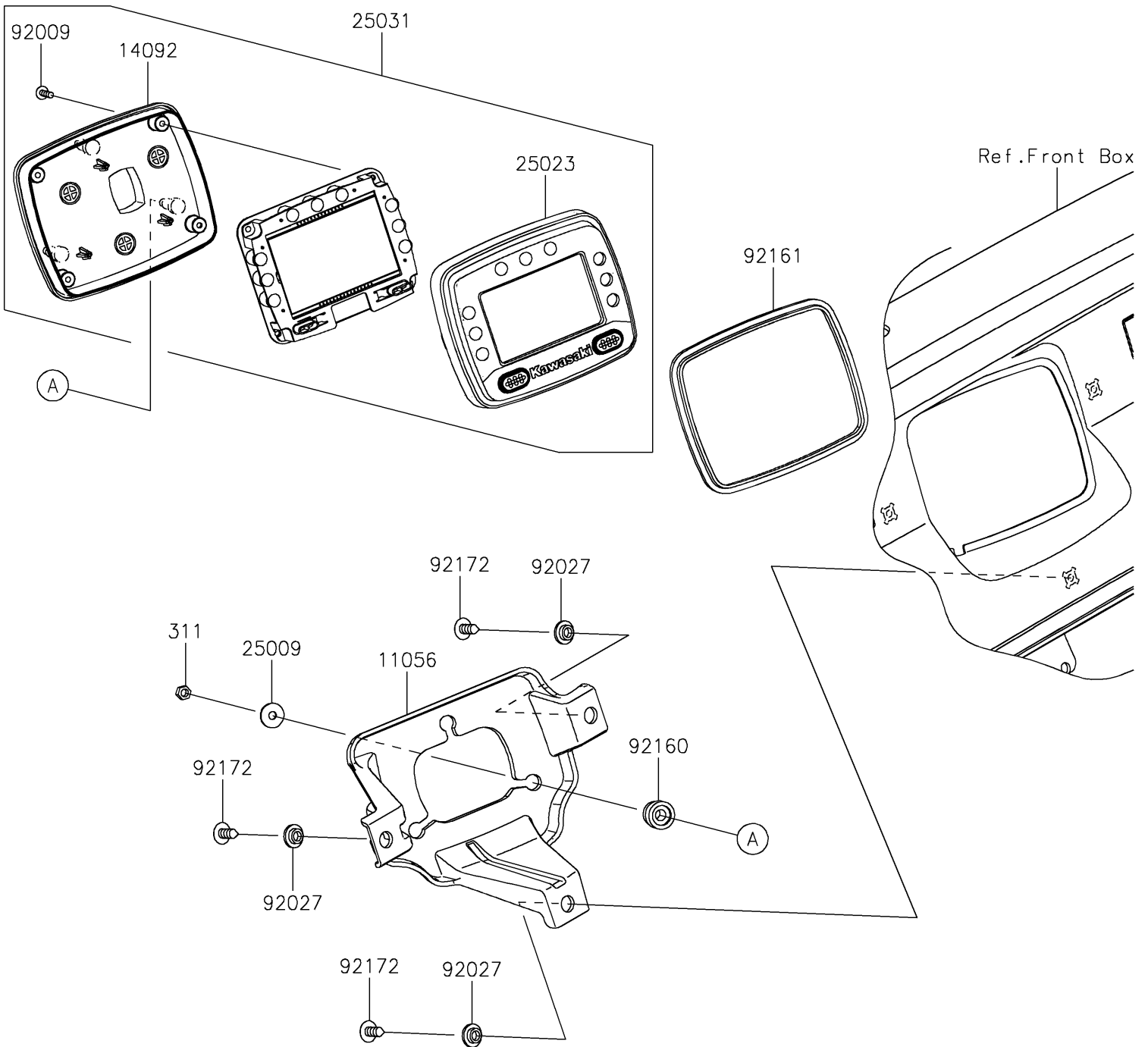


2019 MULE PRO-FX™ PARTS DIAGRAM

Meter(s)

F2530



2019 MULE PRO-FX™ PARTS LIST

Meter(s)

| ITEM NAME | PART NUMBER | QUANTITY |
|------------------------------------|-------------|----------|
| BRACKET,METER (Ref # 11056) | 11056-2956 | 1 |
| COVER,METER,LWR (Ref # 14092) | 14092-0834 | 1 |
| WASHER,5.2X16X1.2 (Ref # 25009) | 25009-004 | 3 |
| COVER-METER CASE,UPP (Ref # 25023) | 25023-0075 | 1 |
| METER-ASSY,LCD (Ref # 25031) | 25031-0700 | 1 |
| NUT-HEX,5MM (Ref # 311) | 311AB0500 | 3 |
| SCREW,TAPPING,3X12 (Ref # 92009) | 92009-1255 | 4 |
| COLLAR,L=4.6 (Ref # 92027) | 92027-1168 | 3 |
| DAMPER (Ref # 92160) | 92160-1460 | 3 |
| DAMPER,METER (Ref # 92161) | 92161-0906 | 1 |
| SCREW,6X16 (Ref # 92172) | 92172-0284 | 3 |