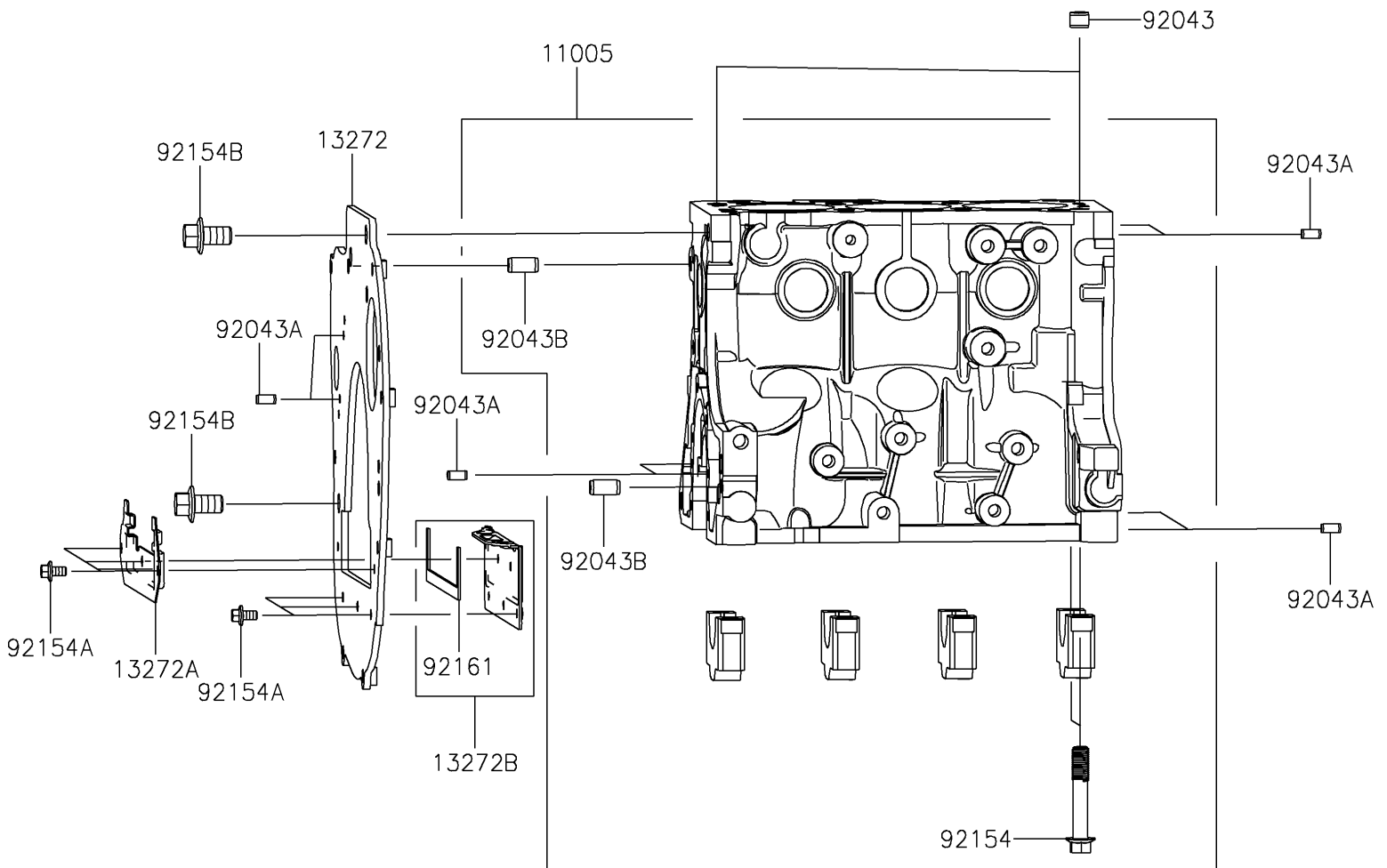


2019 MULE PRO-FX™ EPS PARTS DIAGRAM

Crankcase

E1411



2019 MULE PRO-FX™ EPS PARTS LIST

Crankcase

| ITEM NAME | PART NUMBER | QUANTITY |
|-----------------------------------|-------------|----------|
| CYLINDER-ENGINE (Ref # 11005) | 11005-0654 | 1 |
| PLATE (Ref # 13272) | 13272-1543 | 1 |
| PLATE (Ref # 13272A) | 13272-1858 | 1 |
| PLATE (Ref # 13272B) | 13272-1873 | 1 |
| PIN (Ref # 92043) | 92043-0827 | 2 |
| PIN (Ref # 92043A) | 92043-0828 | 8 |
| PIN (Ref # 92043B) | 92043-0832 | 2 |
| BOLT,FLANGED (Ref # 92154) | 92154-1580 | 8 |
| BOLT,FLANGED,6X10 (Ref # 92154A) | 92154-1581 | 7 |
| BOLT,FLANGED,12X20 (Ref # 92154B) | 92154-1582 | 2 |
| DAMPER (Ref # 92161) | 92161-1605 | 1 |