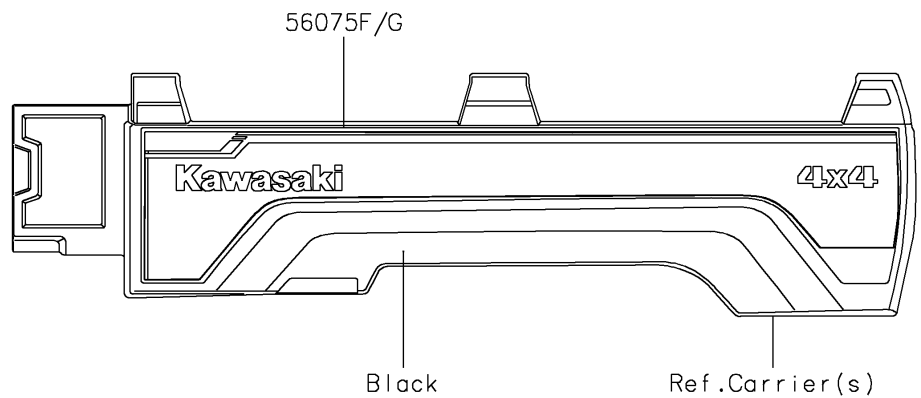
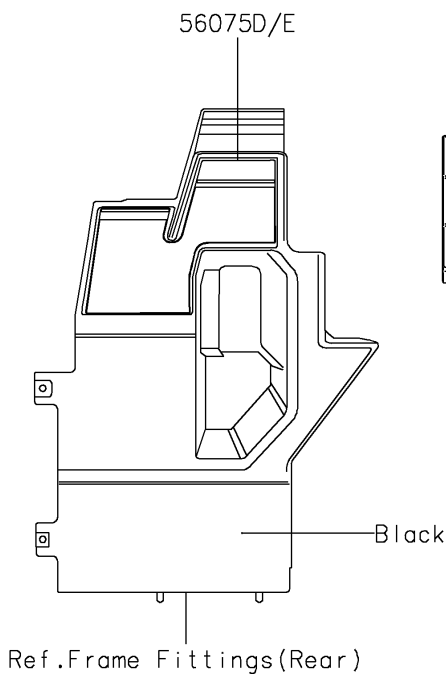
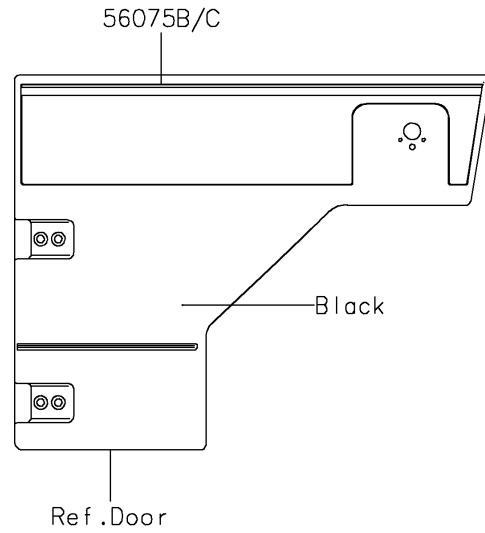
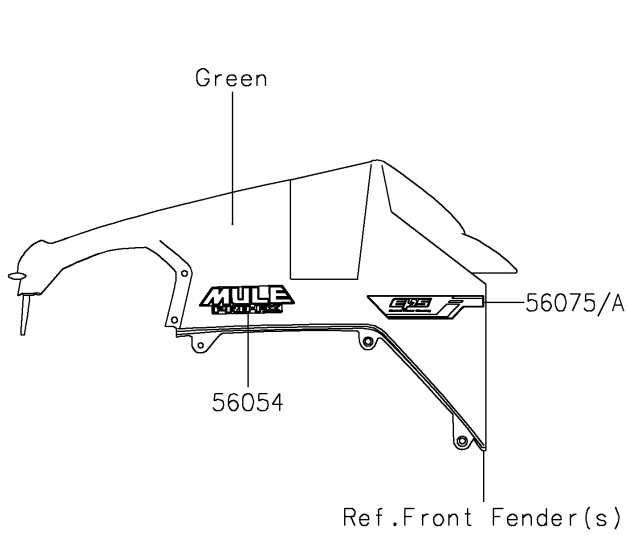


2019 MULE PRO-FX™ EPS PARTS DIAGRAM

Decals(Green)(FKF/FLF)

F2861C



2019 MULE PRO-FX™ EPS PARTS LIST

Decals(Green)(FKF/FLF)

ITEM NAME	PART NUMBER	QUANTITY
MARK,FR FENDER,MULE PRO-FX (Ref # 56054)	56054-1823	2
PATTERN,FR FENDER,LH,EPS (Ref # 56075)	56075-0624	1
PATTERN,FR FENDER,RH,EPS (Ref # 56075A)	56075-0625	1
PATTERN,SIDE GUARD,LH,FR (Ref # 56075B)	56075-0626	1
PATTERN,SIDE GUARD,RH,FR (Ref # 56075C)	56075-0627	1
PATTERN,CARRIER,LH,FR (Ref # 56075D)	56075-0734	1
PATTERN,CARRIER,RH,FR (Ref # 56075E)	56075-0735	1
PATTERN,CARRIER,LH,RR (Ref # 56075F)	56075-0736	1
PATTERN,CARRIER,RH,RR (Ref # 56075G)	56075-0737	1