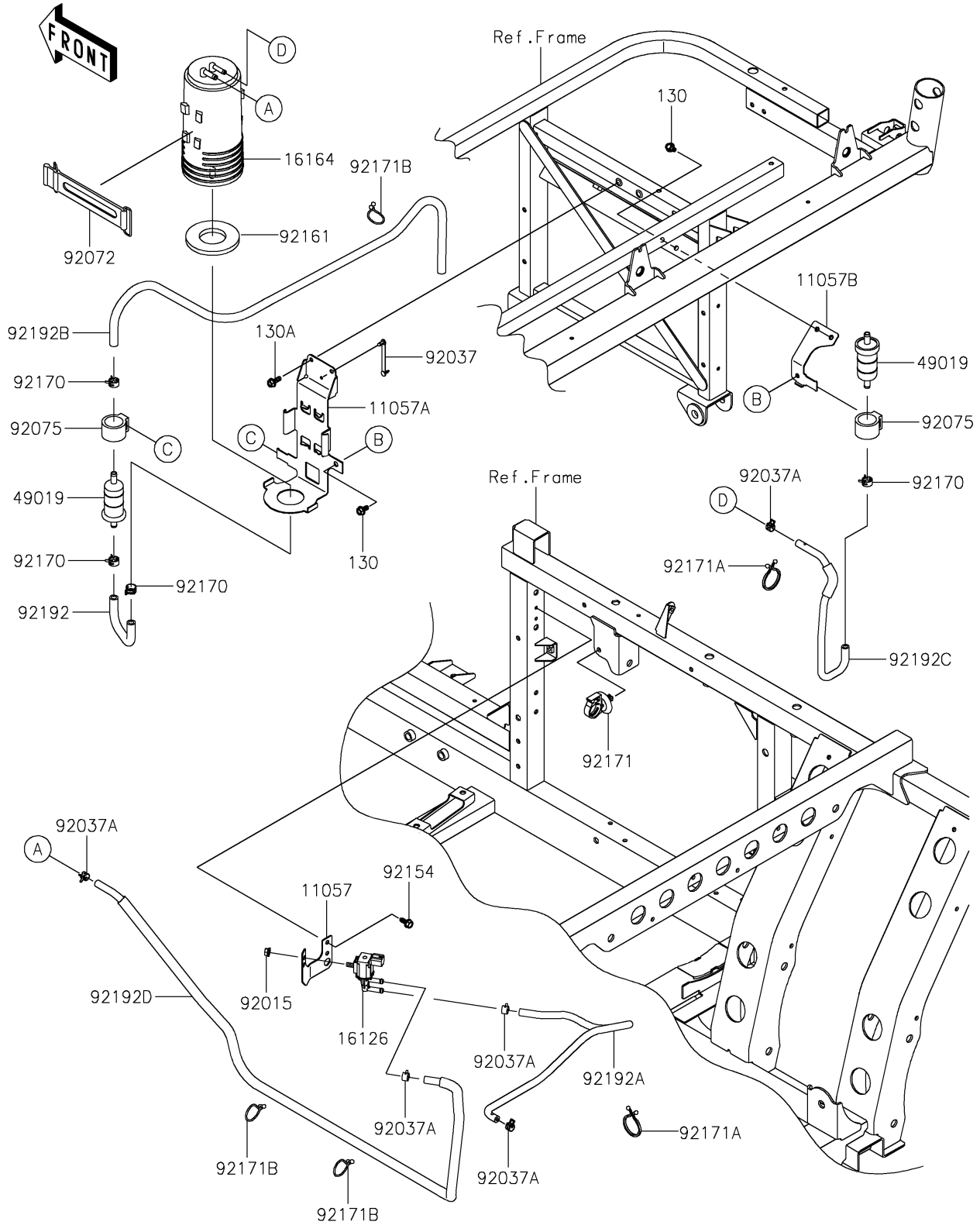


# 2020 MULE PRO-FX™ EPS LE PARTS DIAGRAM

Fuel Evaporative System(GLF)(CA)

E1650A



## 2020 MULE PRO-FX™ EPS LE PARTS LIST

Fuel Evaporative System(GLF)(CA)

| ITEM NAME                                 | PART NUMBER | QUANTITY |
|---|-------------|----------|
| BRACKET,VALVE (Ref # 11057)               | 11057-0763  | 1        |
| BRACKET,CANISTER (Ref # 11057A)           | 11057-2694  | 1        |
| BRACKET (Ref # 11057B)                    | 11057-2695  | 1        |
| VALVE,SOLENOID (Ref # 16126)              | 16126-0705  | 1        |
| CANISTER (Ref # 16164)                    | 16164-0016  | 1        |
| FILTER-FUEL (Ref # 49019)                 | 49019-0032  | 2        |
| NUT,FLANGED,6MM (Ref # 92015)             | 92015-1367  | 1        |
| CLAMP,SPEED,L=58 (Ref # 92037)            | 92037-1163  | 1        |
| CLAMP (Ref # 92037A)                      | 92037-2113  | 5        |
| BAND,L=168 (Ref # 92072)                  | 92072-1306  | 1        |
| DAMPER,FUEL FILTER (Ref # 92075)          | 92075-1853  | 2        |
| BOLT,6X15.6 (Ref # 92154)                 | 92154-1250  | 2        |
| DAMPER (Ref # 92161)                      | 92161-1843  | 1        |
| CLAMP (Ref # 92170)                       | 92170-2082  | 4        |
| CLAMP (Ref # 92171)                       | 92171-0453  | 1        |
| CLAMP (Ref # 92171A)                      | 92171-0876  | 2        |
| CLAMP (Ref # 92171B)                      | 92171-1185  | 3        |
| TUBE,FILTER-CANISTER (Ref # 92192)        | 92192-1665  | 1        |
| TUBE,VALVE-INTAKE MANIFOLD (Ref # 92192A) | 92192-1667  | 1        |
| TUBE,AIR-FUEL FILTER (Ref # 92192B)       | 92192-1900  | 1        |
| BOLT-FLANGED,6X12 (Ref # 130)             | 130BA0612   | 3        |
| BOLT-FLANGED,6X16 (Ref # 130A)            | 130BA0616   | 2        |
| TUBE,FILTER-CANISTER (Ref # 92192C)       | 92192-2252  | 1        |
| TUBE,CANISTER-VALVE (Ref # 92192D)        | 92192-2286  | 1        |