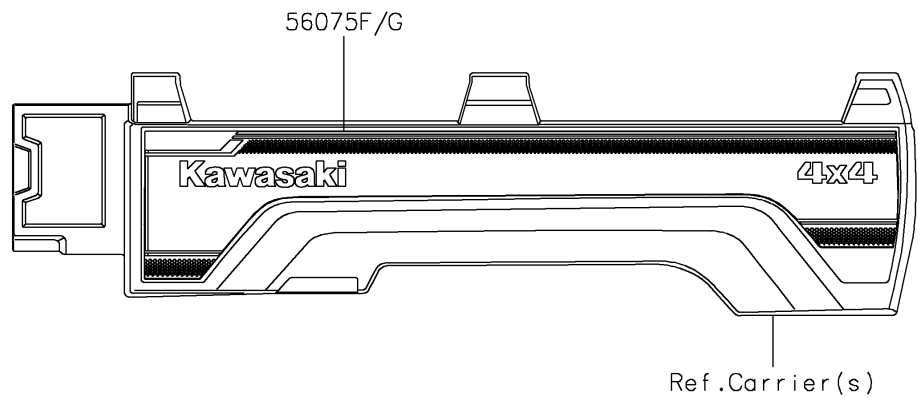
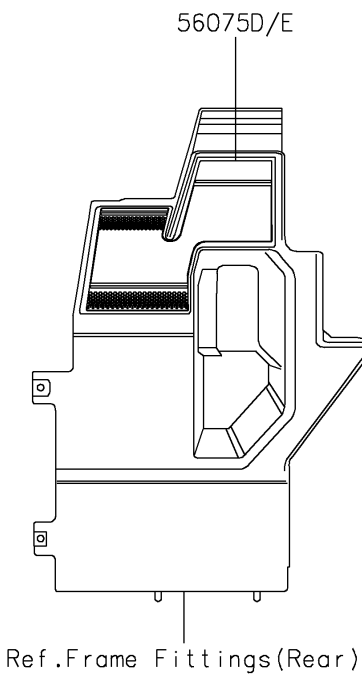
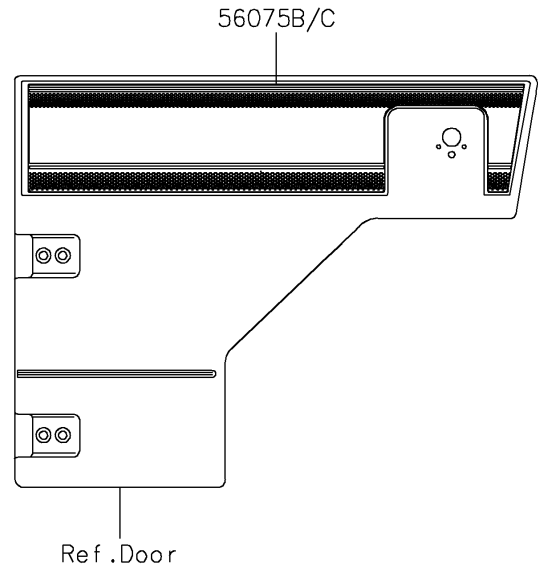
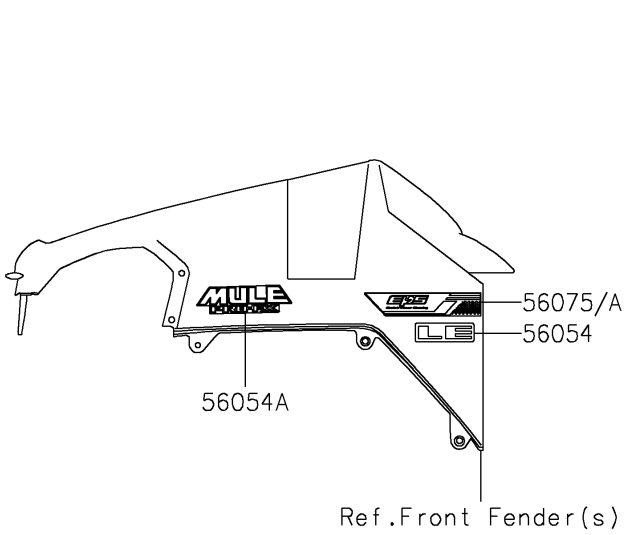


# 2019 MULE PRO-FX™ EPS LE PARTS DIAGRAM

Decals

F2861



# 2019 MULE PRO-FX™ EPS LE PARTS LIST

Decals

ITEM NAME	PART NUMBER	QUANTITY
-----------	-------------	----------