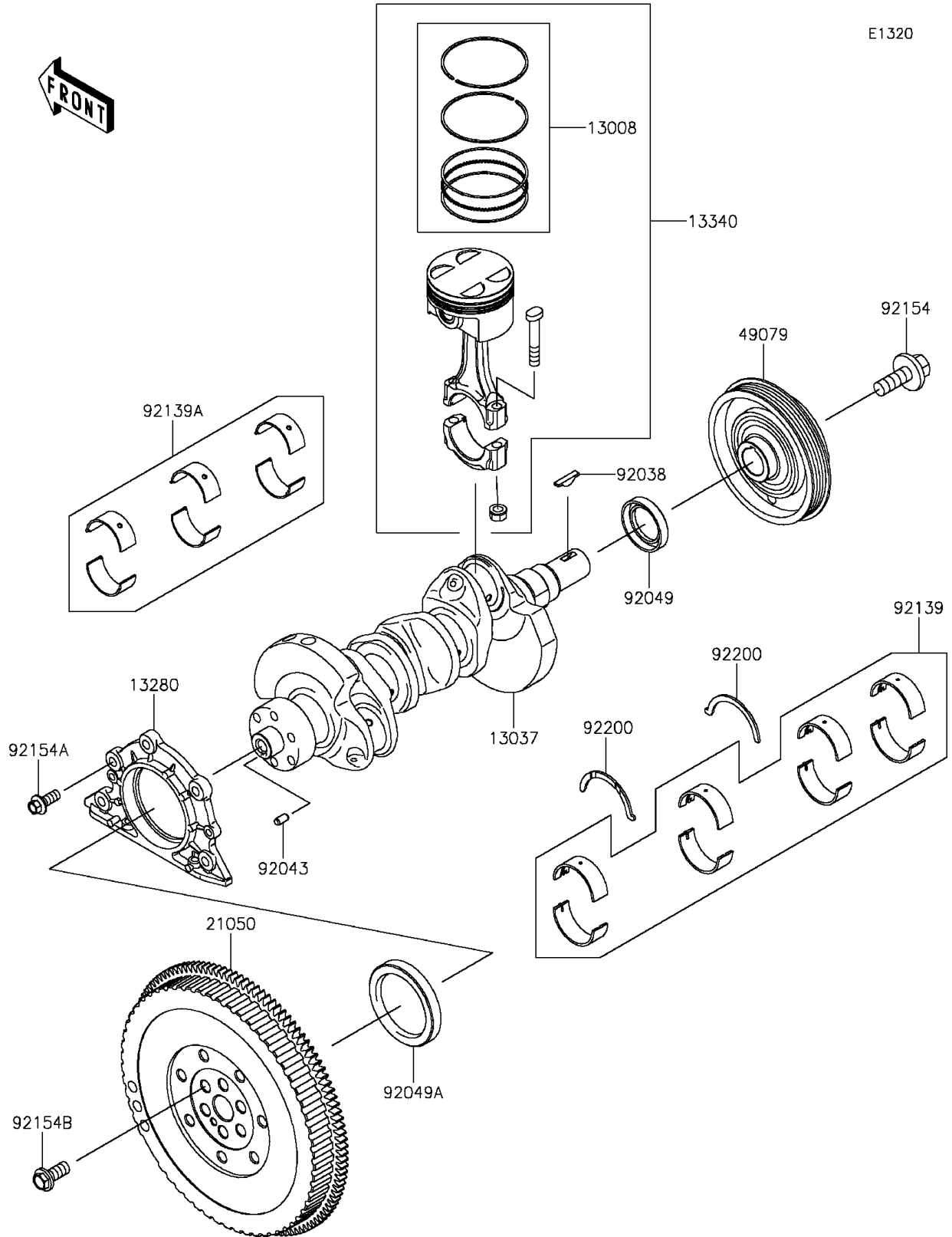


2015 MULE PRO-FXT™ EPS PARTS DIAGRAM

Crankshaft/Piston(s)



2015 MULE PRO-FXT™ EPS PARTS LIST

Crankshaft/Piston(s)

| ITEM NAME | PART NUMBER | QUANTITY |
|--------------------------------------|-------------|----------|
| RING-SET-PISTON (Ref # 13008) | 13008-0561 | 3 |
| CRANKSHAFT (Ref # 13037) | 13037-0854 | 1 |
| HOLDER (Ref # 13280) | 13280-0826 | 1 |
| PISTON-ASSY-ENGINE (Ref # 13340) | 13340-0003 | 3 |
| FLYWHEEL (Ref # 21050) | 21050-0008 | 1 |
| PULLEY-BELT,CRANKSHAFT (Ref # 49079) | 49079-0021 | 1 |
| KEY (Ref # 92038) | 92038-0005 | 1 |
| PIN (Ref # 92043) | 92043-0830 | 1 |
| SEAL-OIL (Ref # 92049) | 92049-0774 | 1 |
| SEAL-OIL (Ref # 92049A) | 92049-0775 | 1 |
| BUSHING (Ref # 92139) | 92139-0833 | 1 |
| BUSHING (Ref # 92139A) | 92139-0838 | 1 |
| BOLT,CRANKSHAFT PULLEY (Ref # 92154) | 92154-1585 | 1 |
| BOLT,FLANGED,8X20 (Ref # 92154A) | 92154-1586 | 5 |
| BOLT,FLYWHEEL (Ref # 92154B) | 92154-1587 | 6 |
| WASHER (Ref # 92200) | 92200-1682 | 2 |