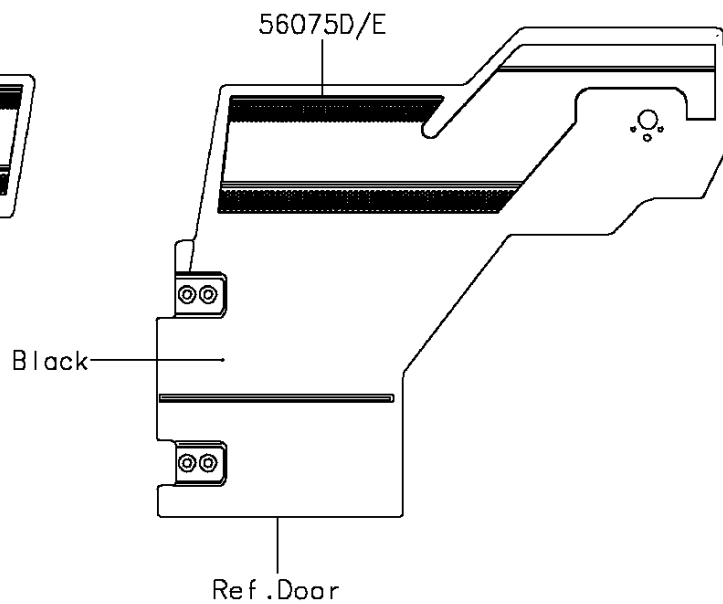
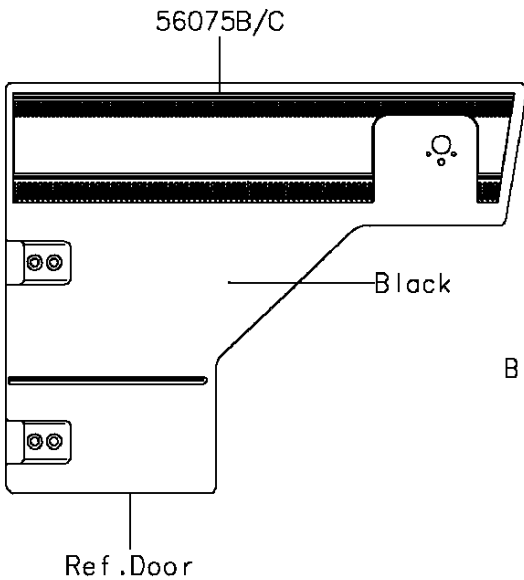
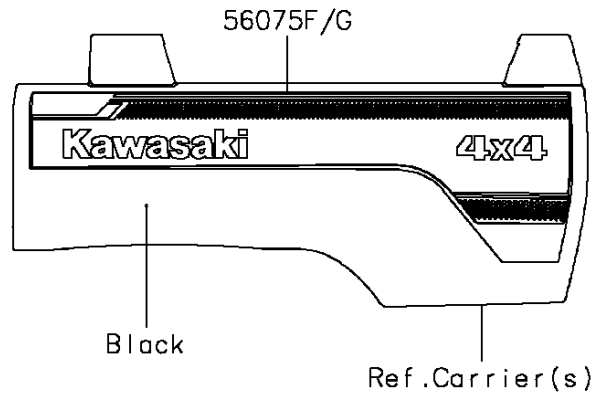
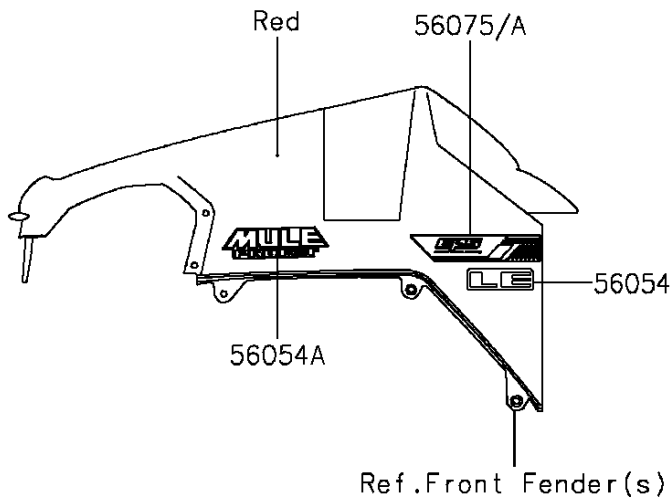


2016 MULE PRO-FXT™ EPS LE PARTS DIAGRAM

Decals(Red)(CGF)

F2861B



2016 MULE PRO-FXT™ EPS LE PARTS LIST

Decals(Red)(CGF)

| ITEM NAME | PART NUMBER | QUANTITY |
|--|-------------|----------|
| MARK,FR FENDER,LE (Ref # 56054) | 56054-1569 | 2 |
| MARK,FR FENDER,MULE PRO-FXT (Ref # 56054A) | 56054-1830 | 2 |
| PATTERN,FR FENDER,LH,EPS (Ref # 56075) | 56075-0648 | 1 |
| PATTERN,FR FENDER,RH,EPS (Ref # 56075A) | 56075-0649 | 1 |
| PATTERN,SIDE GUARD,LH,FR (Ref # 56075B) | 56075-0650 | 1 |
| PATTERN,SIDE GUARD,RH,FR (Ref # 56075C) | 56075-0651 | 1 |
| PATTERN,SIDE GUARD,LH,RR (Ref # 56075D) | 56075-0652 | 1 |
| PATTERN,SIDE GUARD,RH,RR (Ref # 56075E) | 56075-0653 | 1 |
| PATTERN,CARRIER PANEL,LH (Ref # 56075F) | 56075-0654 | 1 |
| PATTERN,CARRIER PANEL,RH (Ref # 56075G) | 56075-0655 | 1 |