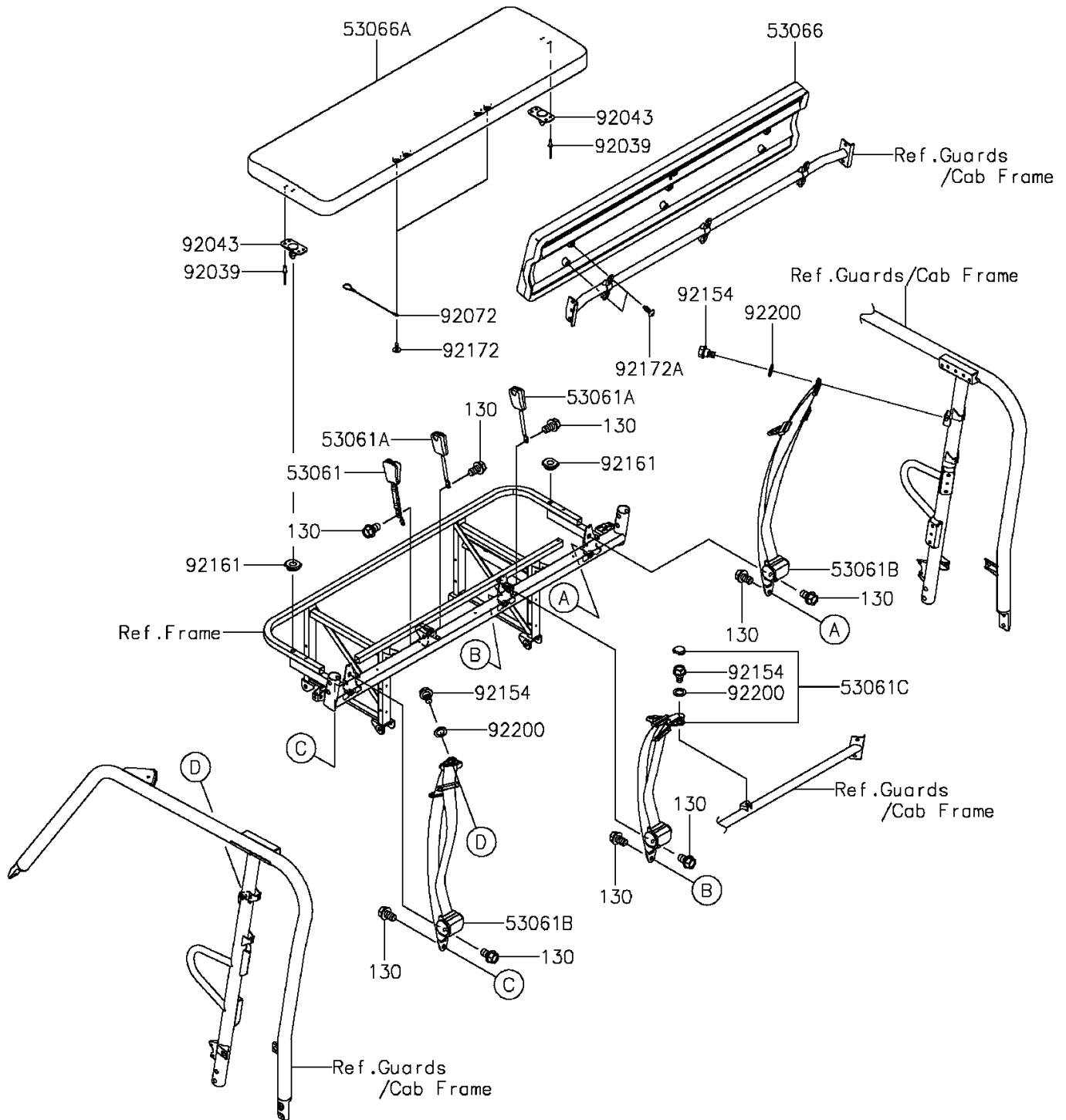


2016 MULE PRO-FX™ PARTS DIAGRAM

Seat

F2510



2016 MULE PRO-FX™ PARTS LIST

Seat

| ITEM NAME | PART NUMBER | QUANTITY |
|---------------------------------------|---------------|----------|
| BOLT-FLANGED,12X20 (Ref # 130) | 130BA1220 | 9 |
| BELT-SEAT,BUCKLE,SW. (Ref # 53061) | 53061-0038 | 1 |
| BELT-SEAT,BUCKLE (Ref # 53061A) | 53061-0039 | 2 |
| BELT-SEAT,FR,LH&RH (Ref # 53061B) | 53061-0045 | 2 |
| BELT-SEAT,MIDDLE (Ref # 53061C) | 53061-0046 | 1 |
| SEAT-ASSY,BACK,BLACK (Ref # 53066) | 53066-0426-MA | 1 |
| SEAT-ASSY,BOTTOM,BLACK (Ref # 53066A) | 53066-0495-MA | 1 |
| RIVET (Ref # 92039) | 92039-0747 | 8 |
| PIN (Ref # 92043) | 92043-0859 | 2 |
| BAND (Ref # 92072) | 92072-0769 | 2 |
| BOLT,FLANGED,10X18.5 (Ref # 92154) | 92154-1388 | 3 |
| DAMPER,10.5X30X8.2 (Ref # 92161) | 92161-1784 | 2 |
| SCREW,6X16 (Ref # 92172) | 92172-0284 | 2 |
| SCREW,TAPPING,6X20 (Ref # 92172A) | 92172-0488 | 6 |
| WASHER,14X22X2 (Ref # 92200) | 92200-1745 | 3 |