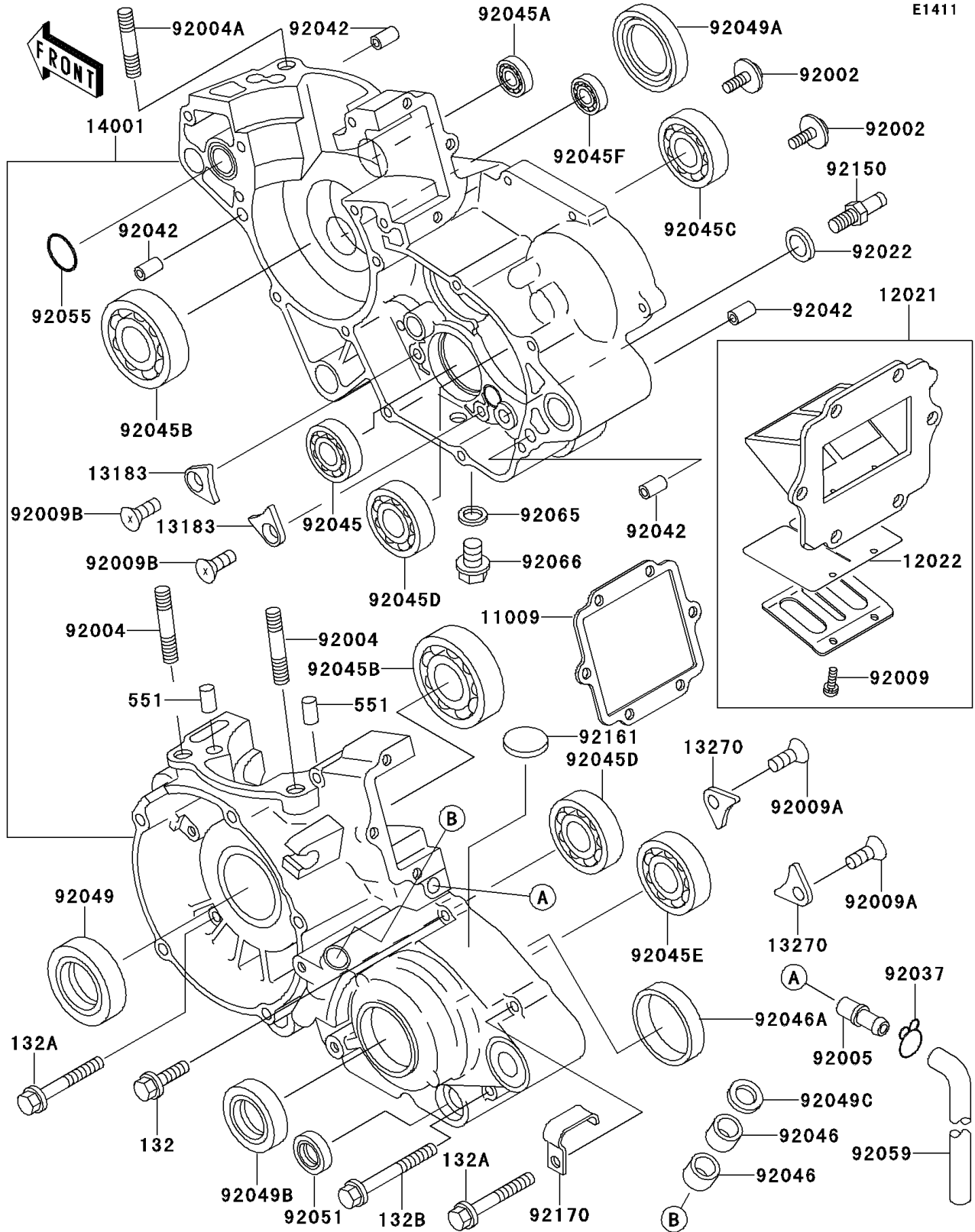


2000 KX125 PARTS DIAGRAM

Crankcase



2000 KX125 PARTS LIST

Crankcase

ITEM NAME	PART NUMBER	QUANTITY
BOLT-FLANGED-SMALL (Ref # 132)	132G0620	1
BOLT-FLANGED-SMALL (Ref # 132A)	132G0640	12
BOLT-FLANGED-SMALL (Ref # 132B)	132G0675	1
GASKET, REED VALVE (Ref # 11009)	11009-1941	1
VALVE-ASSY-REED (Ref # 12021)	12021-1116	1
VALVE-REED (Ref # 12022)	12022-1080	2
PLATE (Ref # 13183)	13183-1182	2
PLATE (Ref # 13270)	13270-1638	2
SET-CRANKCASE (Ref # 14001)	14001-1270	1
BOLT, 6X16 (Ref # 92002)	92002-1659	2
STUD, 8X35 (Ref # 92004)	92004-1251	3
STUD, 8X28.5 (Ref # 92004A)	92004-1252	1
FITTING, BREATHER (Ref # 92005)	92005-1127	1
SCREW, 3X6 (Ref # 92009)	92009-1371	4
SCREW, 6X8 (Ref # 92009A)	92009-1708	2
SCREW, 6X14 (Ref # 92009B)	92009-1862	2
WASHER, 10.2X18X1.0, SK5 (Ref # 92022)	92022-1415	1
CLAMP (Ref # 92037)	92037-1610	1
PIN, DOWEL, 6.3X8X14 (Ref # 92042)	92042-007	4
BEARING-BALL, 6905Z (Ref # 92045)	92045-1058	1
BEARING-BALL, #628 (Ref # 92045A)	92045-1123	1
BEARING-BALL (Ref # 92045B)	92045-1209	2
BEARING-BALL, 6204X15C (Ref # 92045C)	92045-1298	1
BEARING-BALL, SC03A53C3 (Ref # 92045D)	92045-1334	2
BEARING-BALL, SX04A81C3 (Ref # 92045E)	92045-1335	1
BEARING-BALL (Ref # 92045F)	92045-1345	1
BEARING-NEEDLE, HK1010 (Ref # 92046)	92046-1160	2
BEARING-NEEDLE, 7E-HKS33X38X8 (Ref # 92046A)	92046-1221	1
SEAL-OIL (Ref # 92049)	92049-1300	1

2000 KX125 PARTS LIST

Crankcase

ITEM NAME	PART NUMBER	QUANTITY
SEAL-OIL (Ref # 92049A)	92049-1301	1
SEAL-OIL (Ref # 92049B)	92049-1413	1
SEAL-OIL (Ref # 92049C)	92049-1414	1
SEAL-OIL,TB13225.5 (Ref # 92051)	92051-005	1
RING-O (Ref # 92055)	92055-086	1
TUBE,6X9X420 (Ref # 92059)	92059-1946	1
GASKET,10.5X16X1,DRAIN PLUG (Ref # 92065)	92065-058	1
PLUG,DRAIN (Ref # 92066)	92066-1437	1
BOLT,RETURN SPRING (Ref # 92150)	92150-1803	1
DAMPER (Ref # 92161)	92161-1119	1
CLAMP (Ref # 92170)	92170-1555	1
PIN-DOWEL,6X12 (Ref # 551)	551A0612	2