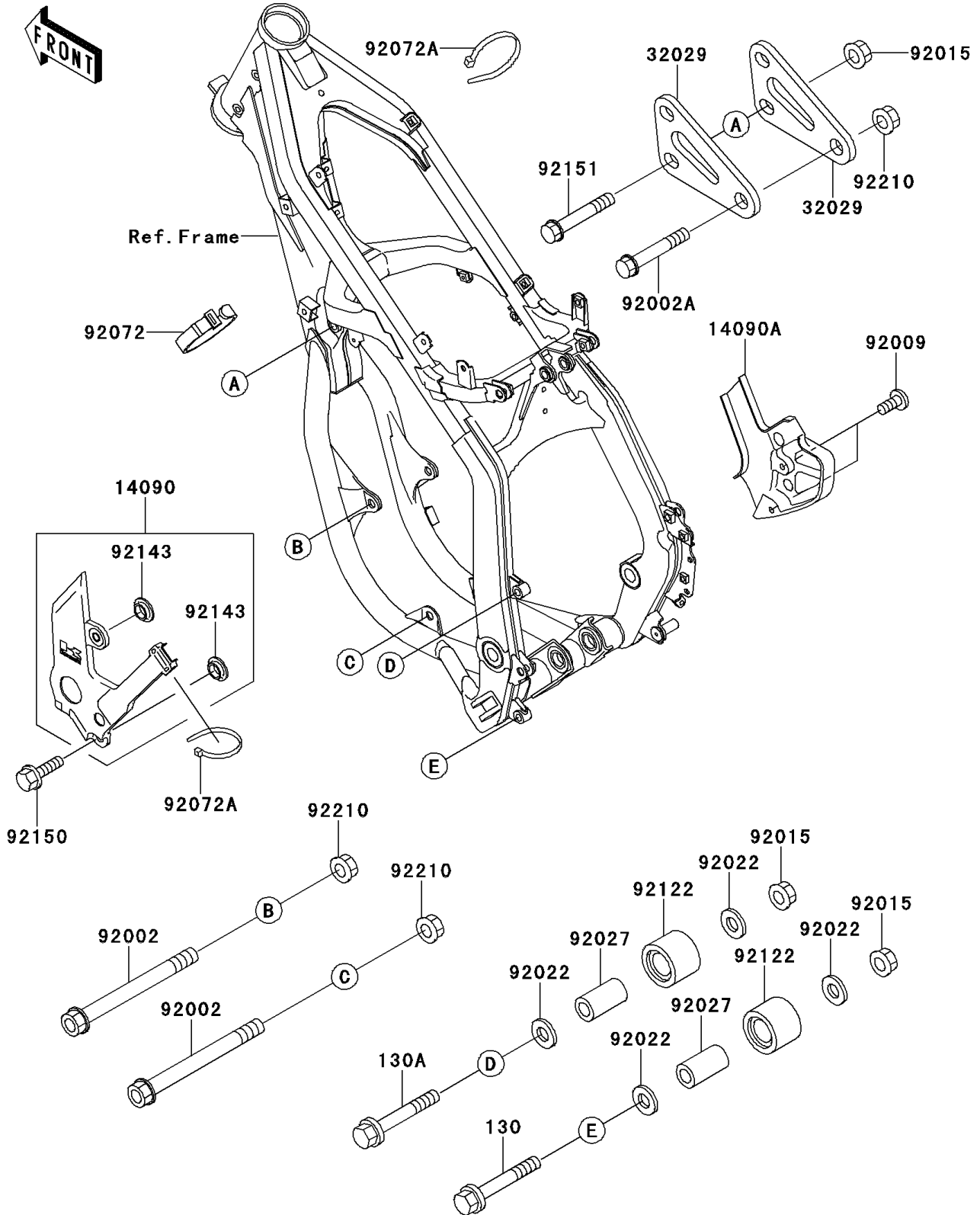


2000 KX125 PARTS DIAGRAM

Frame Fittings

F2131



2000 KX125 PARTS LIST

Frame Fittings

ITEM NAME	PART NUMBER	QUANTITY
BOLT-FLANGED,8X55 (Ref # 130)	130G0855	1
BOLT-FLANGED,8X60 (Ref # 130A)	130G0860	1
COVER,FRAME PIVOT,LH,F.BLACK (Ref # 14090)	14090-1970-6Z	1
COVER,FRAME PIVOT,RH,F.BLACK (Ref # 14090A)	14090-1971-6Z	1
BRACKET-ENGINE (Ref # 32029)	32029-1896	2
BOLT,FLANGED,10X105 (Ref # 92002)	92002-1491	2
BOLT,FLANGED,10X53 (Ref # 92002A)	92002-1936	1
SCREW,6X18,WHITE (Ref # 92009)	92009-1111	2
NUT,8MM (Ref # 92015)	92015-1432	4
WASHER,8.5X22X1.5 (Ref # 92022)	92022-1629	4
COLLAR,CHAIN ROLLER (Ref # 92027)	92027-1670	2
BAND,L=149 (Ref # 92072)	92072-031	1
BAND,L=185 (Ref # 92072A)	92072-1195	4
ROLLER,CHAIN GUIDE (Ref # 92122)	92122-1153	2
COLLAR (Ref # 92143)	92143-1196	2
BOLT,6X12 (Ref # 92150)	92150-1435	1
BOLT,FLANGED,8X52 (Ref # 92151)	92151-1377	2
NUT,LOCK,FLANGED,10MM (Ref # 92210)	92210-1080	3