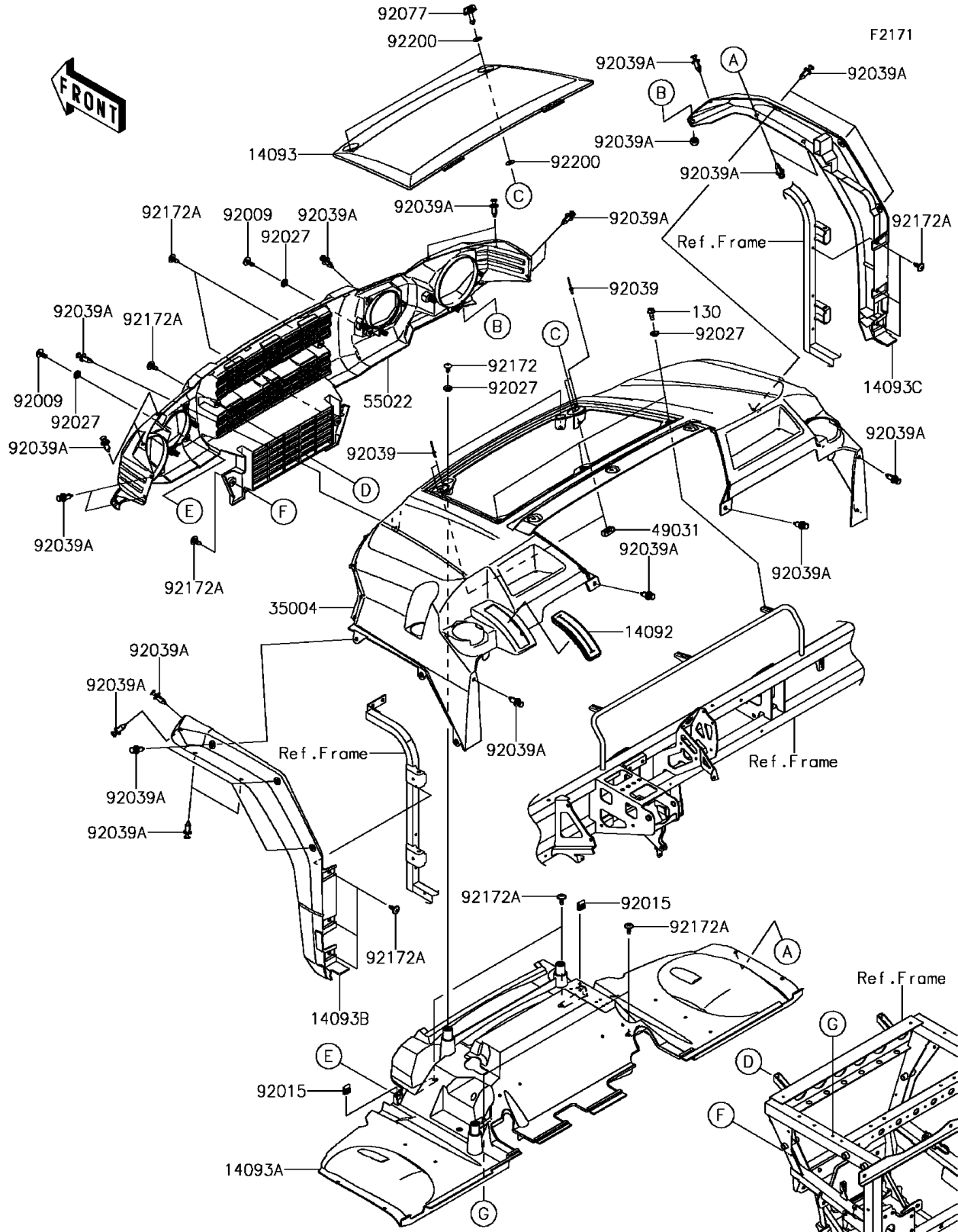


2016 MULE PRO-FXT™ RANCH EDITION PARTS DIAGRAM

Front Fender(s)



2016 MULE PRO-FXT™ RANCH EDITION PARTS LIST

Front Fender(s)

ITEM NAME	PART NUMBER	QUANTITY
BOLT-FLANGED,6X16 (Ref # 130)	130CA0616	3
COVER,CENTER CONSOLE,TOP (Ref # 14092)	14092-0791	1
COVER,OPEN,M.TITANIUM (Ref # 14093)	14093-0019-16S	1
COVER,TOP,FR INNER (Ref # 14093A)	14093-0328	1
COVER,SIDE,LH (Ref # 14093B)	14093-0596	1
COVER,SIDE,RH (Ref # 14093C)	14093-0597	1
FENDER-FRONT,M.TITANIUM (Ref # 35004)	35004-0337-16S	1
LATCH (Ref # 49031)	49031-0008	2
COVER-HEAD LAMP (Ref # 55022)	55022-0309	1
SCREW,6X16 (Ref # 92009)	92009-1621	2
NUT,CLAMP,6MM (Ref # 92015)	92015-1678	2
COLLAR,L=4.6 (Ref # 92027)	92027-1168	7
RIVET,3.2X9.8 (Ref # 92039)	92039-0013	4
RIVET (Ref # 92039A)	92039-1229	28
KNOB (Ref # 92077)	92077-0030	2
SCREW,6X16 (Ref # 92172)	92172-0284	2
SCREW,6X16 (Ref # 92172A)	92172-0711	14
WASHER (Ref # 92200)	92200-0503	4