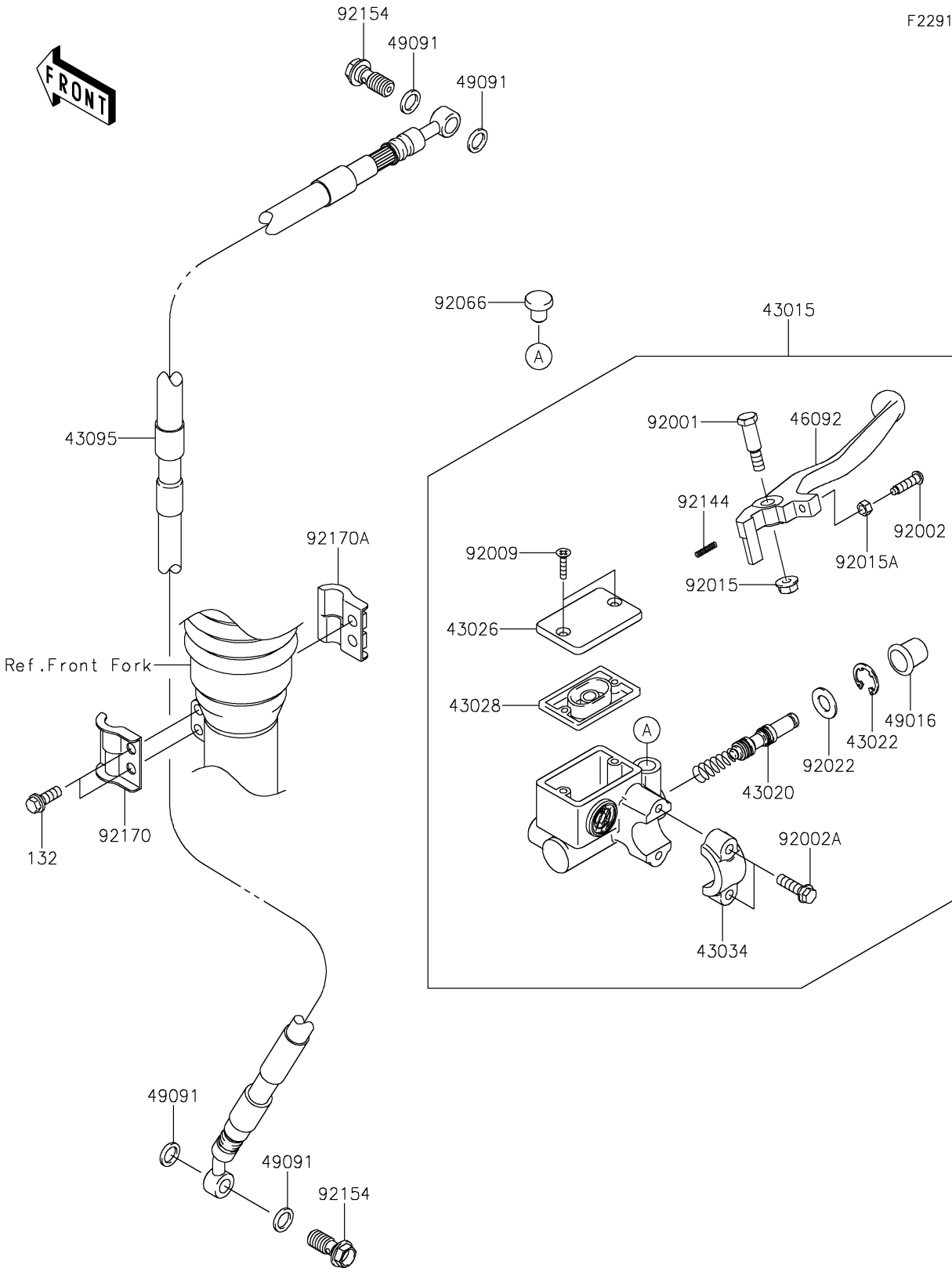


2021 KLX®140R PARTS DIAGRAM

Front Master Cylinder

F2291



2021 KLX®140R PARTS LIST

Front Master Cylinder

| ITEM NAME | PART NUMBER | QUANTITY |
|--|-------------|----------|
| BOLT-FLANGED-SMALL,6X16 (Ref # 132) | 132BA0616 | 2 |
| CYLINDER-ASSY-MASTER,FR (Ref # 43015) | 43015-0106 | 1 |
| PISTON-COMP-BRAKE (Ref # 43020) | 43020-1065 | 1 |
| STOPPER-BRAKE,PISTON (Ref # 43022) | 43022-1010 | 1 |
| CAP-BRAKE (Ref # 43026) | 43026-1074 | 1 |
| DIAPHRAGM (Ref # 43028) | 43028-1061 | 1 |
| HOLDER-BRAKE,MASTER CYLINDER (Ref # 43034) | 43034-1016 | 1 |
| HOSE-BRAKE,FR (Ref # 43095) | 43095-0335 | 1 |
| LEVER-GRIP,FRONT BRAKE (Ref # 46092) | 46092-1175 | 1 |
| COVER-SEAL,MASTER CYLINDER (Ref # 49016) | 49016-1044 | 1 |
| WASHER-SEAL,10.1X14.5X1.5 (Ref # 49091) | 49091-0001 | 4 |
| BOLT,FRONT BRAKE LEVER (Ref # 92001) | 92001-1728 | 1 |
| BOLT,ADJUST (Ref # 92002) | 92002-1893 | 1 |
| BOLT (Ref # 92002A) | 92002-1894 | 2 |
| SCREW,4MM (Ref # 92009) | 92009-1458 | 2 |
| NUT,FLANGED,6MM,BLACK (Ref # 92015) | 92015-1233 | 1 |
| NUT,ADJUST (Ref # 92015A) | 92015-1642 | 1 |
| WASHER (Ref # 92022) | 92022-1814 | 1 |
| PLUG (Ref # 92066) | 92066-1348 | 1 |
| SPRING,RETURN (Ref # 92144) | 92144-1103 | 1 |
| BOLT,OIL,L=23 (Ref # 92154) | 92154-0226 | 2 |
| CLAMP,BRAKE HOSE,OUTSIDE (Ref # 92170) | 92170-1231 | 1 |
| CLAMP,BRAKE HOSE,INSIDE (Ref # 92170A) | 92170-1232 | 1 |