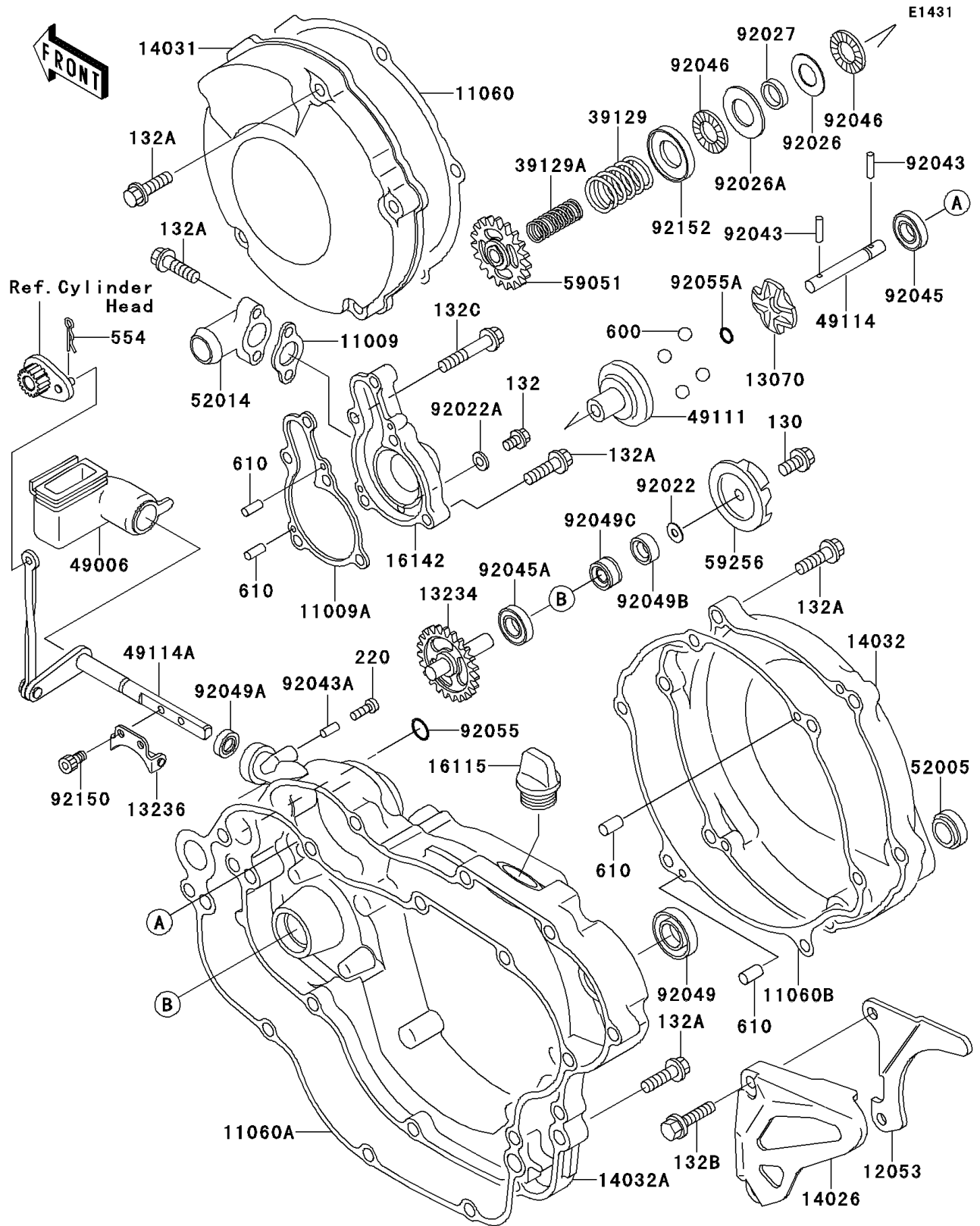


2001 KX125 PARTS DIAGRAM

Engine Cover(s)



2001 KX125 PARTS LIST

Engine Cover(s)

| ITEM NAME | PART NUMBER | QUANTITY |
|--|-------------|----------|
| GASKET,ELBOW (Ref # 11009) | 11009-1935 | 1 |
| GASKET,PUMP COVER (Ref # 11009A) | 11009-1936 | 1 |
| GASKET,GENERATOR COVER (Ref # 11060) | 11060-1189 | 1 |
| GASKET,CLUTCH COVER,INSIDE (Ref # 11060A) | 11060-1350 | 1 |
| GASKET,CLUTCH COVER,OUTSIDE (Ref # 11060B) | 11060-1351 | 1 |
| GUIDE-CHAIN (Ref # 12053) | 12053-1325 | 1 |
| GUIDE (Ref # 13070) | 13070-1358 | 1 |
| SHAFT-COMP,PUMP (Ref # 13234) | 13234-1107 | 1 |
| LEVER-COMP,GOVERNOR (Ref # 13236) | 13236-1266 | 1 |
| COVER-CHAIN (Ref # 14026) | 14026-1193 | 1 |
| COVER-GENERATOR (Ref # 14031) | 14031-1376 | 1 |
| COVER-CLUTCH,OUTER (Ref # 14032) | 14032-1481 | 1 |
| COVER-CLUTCH,INNER (Ref # 14032A) | 14032-1506 | 1 |
| CAP-OIL FILLER (Ref # 16115) | 16115-018 | 1 |
| COVER-PUMP (Ref # 16142) | 16142-1127 | 1 |
| SPRING-GOVERNOR (Ref # 39129) | 39129-1024 | 1 |
| SPRING-GOVERNOR (Ref # 39129A) | 39129-1025 | 1 |
| BOOT,GOVERNOR (Ref # 49006) | 49006-1315 | 1 |
| HOLDER-GOVERNOR WEIGHT (Ref # 49111) | 49111-1063 | 1 |
| SHAFT-GOVERNOR (Ref # 49114) | 49114-1058 | 1 |
| SHAFT-GOVERNOR (Ref # 49114A) | 49114-1093 | 1 |
| GAUGE,OIL LEVEL (Ref # 52005) | 52005-1055 | 1 |
| ELBOW (Ref # 52014) | 52014-1072 | 1 |
| GEAR-SPUR (Ref # 59051) | 59051-1395 | 1 |
| IMPELLER (Ref # 59256) | 59256-1065 | 1 |
| WASHER,5.2X13X1 (Ref # 92022) | 92022-1380 | 1 |
| WASHER,6.2X11X1 (Ref # 92022A) | 92022-304 | 1 |
| SPACER (Ref # 92026) | 92026-1501 | 1 |
| SPACER (Ref # 92026A) | 92026-1590 | 1 |

2001 KX125 PARTS LIST

Engine Cover(s)

| ITEM NAME | PART NUMBER | QUANTITY |
|--|-------------|----------|
| COLLAR,15.2X17X4 (Ref # 92027) | 92027-1839 | 1 |
| PIN,3X12.8 (Ref # 92043) | 92043-1256 | 2 |
| PIN,2X9.8 (Ref # 92043A) | 92043-1293 | 1 |
| BEARING-BALL,#628 (Ref # 92045) | 92045-1123 | 1 |
| BEARING-BALL,608MC3 (Ref # 92045A) | 92045-1305 | 1 |
| BEARING-NEEDLE (Ref # 92046) | 92046-1252 | 2 |
| SEAL-OIL,SB16244 (Ref # 92049) | 92049-002 | 1 |
| SEAL-OIL,SDO8144 (Ref # 92049A) | 92049-1207 | 1 |
| SEAL-OIL,MH8X18X3.5-A (Ref # 92049B) | 92049-1359 | 1 |
| SEAL-OIL,MHSD8X18X10J-1 (Ref # 92049C) | 92049-1366 | 1 |
| RING-O (Ref # 92055) | 92055-086 | 1 |
| BOLT-FLANGED (Ref # 130) | 130P0514 | 1 |
| BOLT-FLANGED-SMALL (Ref # 132) | 132G0608 | 1 |
| BOLT-FLANGED-SMALL (Ref # 132A) | 132G0625 | 26 |
| BOLT-FLANGED-SMALL (Ref # 132B) | 132G0630 | 2 |
| BOLT-FLANGED-SMALL (Ref # 132C) | 132G0655 | 1 |
| SCREW-PAN-CROS (Ref # 220) | 220B0306 | 1 |
| PIN-SNAP (Ref # 554) | 554A0400 | 1 |
| BALL-STEEL,11/32" (Ref # 600) | 600A1100 | 4 |
| ROLLER,4X8 (Ref # 610) | 610A0408 | 4 |
| RING-O,5.5X1.5 (Ref # 92055A) | 92055-1343 | 1 |
| BOLT,SOCKET,4X8 (Ref # 92150) | 92150-1888 | 2 |
| COLLAR (Ref # 92152) | 92152-1188 | 1 |