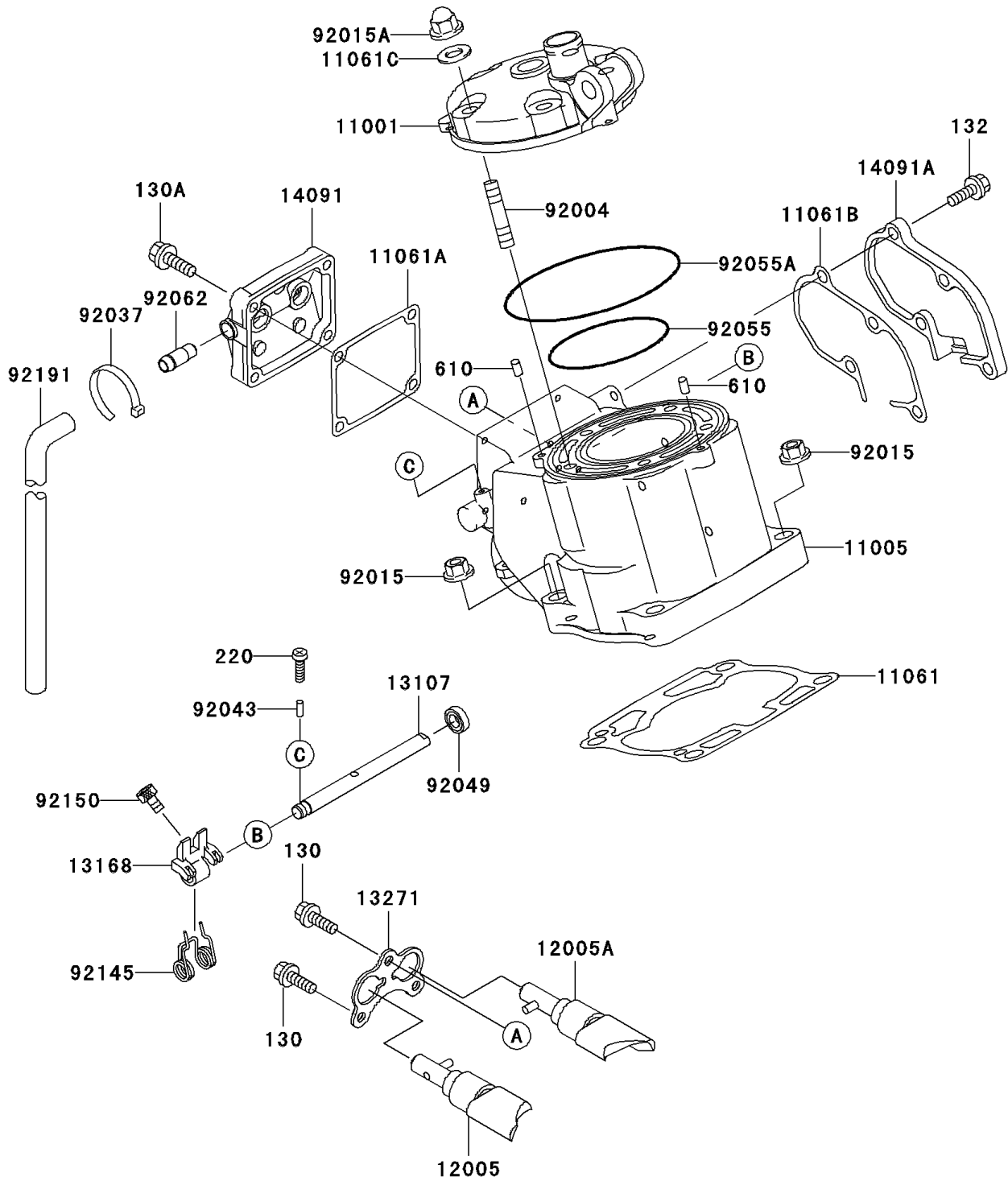


# 2003 KX125 PARTS DIAGRAM

Cylinder Head/Cylinder

E1110



## 2003 KX125 PARTS LIST

### Cylinder Head/Cylinder

ITEM NAME	PART NUMBER	QUANTITY
BOLT-FLANGED (Ref # 130)	130G0512	3
BOLT-FLANGED,CENTER COVER (Ref # 130A)	130G0522	4
BOLT-FLANGED-SMALL (Ref # 132)	132G0616	4
SCREW-PAN-CROS,4X6 (Ref # 220)	220B0406	1
ROLLER,4X8 (Ref # 610)	610A0408	2
HEAD-CYLINDER (Ref # 11001)	11001-1573	1
CYLINDER-ENGINE,BASE (Ref # 11005)	11005-1978	1
GASKET,T 0.37 (Ref # 11061)	11061-1130	1
GASKET,CENTER COVER (Ref # 11061A)	11061-1131	1
GASKET,RIGHT COVER (Ref # 11061B)	11061-1132	1
GASKET,HEAD (Ref # 11061C)	11061-1133	5
VALVE-EXHAUST,LH (Ref # 12005)	12005-1340	1
VALVE-EXHAUST,RH (Ref # 12005A)	12005-1341	1
SHAFT (Ref # 13107)	13107-1500	1
LEVER (Ref # 13168)	13168-1747	1
PLATE (Ref # 13271)	13271-1823	1
COVER,CNT (Ref # 14091)	14091-1481	1
COVER,RIGHT (Ref # 14091A)	14091-1482	1
STUD,8X28 (Ref # 92004)	92004-1110	5
NUT,8MM (Ref # 92015)	92015-1143	4
NUT,CAP,8MM (Ref # 92015A)	92015-1151	5
CLAMP (Ref # 92037)	92037-1173	1
PIN (Ref # 92043)	92043-1586	1
SEAL-OIL,SD088144 (Ref # 92049)	92049-1238	1
RING-O,IN (Ref # 92055)	92055-1678	1
RING-O,OUT (Ref # 92055A)	92055-1679	1
NOZZLE (Ref # 92062)	92062-3711	1
SPRING (Ref # 92145)	92145-1491	1
BOLT,SOCKET,4X8 (Ref # 92150)	92150-1888	1

## 2003 KX125 PARTS LIST

Cylinder Head/Cylinder

ITEM NAME	PART NUMBER	QUANTITY
TUBE,5.8X10.8X225 (Ref # 92191)	92191-1692	1