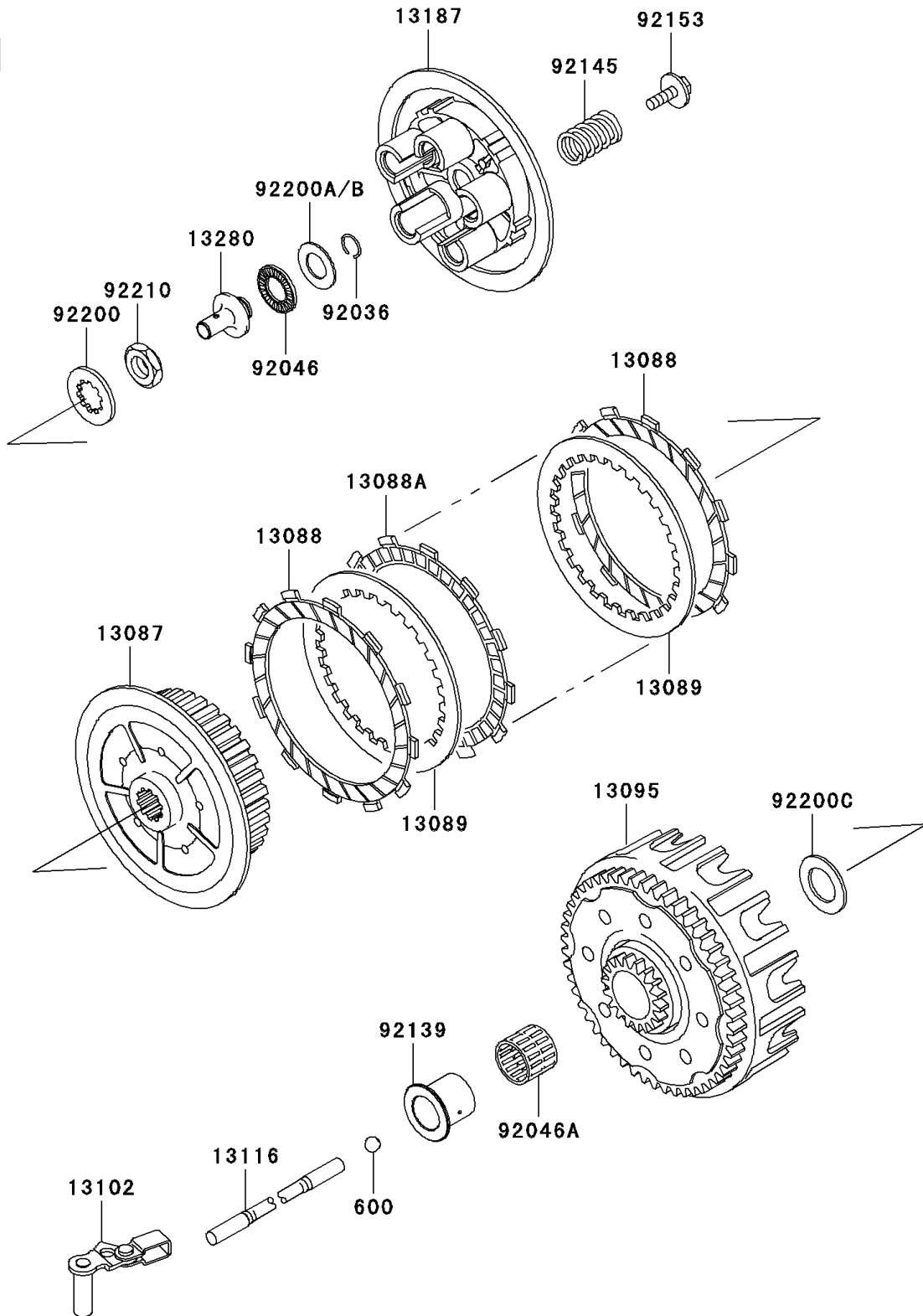


2003 KX125 PARTS DIAGRAM

Clutch

E1350



2003 KX125 PARTS LIST

Clutch

ITEM NAME	PART NUMBER	QUANTITY
BALL-STEEL,5/16" (Ref # 600)	600A1000	1
HUB-CLUTCH (Ref # 13087)	13087-1184	1
PLATE-FRICTION (Ref # 13088)	13088-1057	2
PLATE-FRICTION (Ref # 13088A)	13088-1102	5
PLATE-CLUTCH,T=1.6 (Ref # 13089)	13089-013	6
HOUSING-COMP-CLUTCH (Ref # 13095)	13095-1412	1
RELEASE-COMP-CLUTCH (Ref # 13102)	13102-1160	1
ROD-PUSH (Ref # 13116)	13116-1171	1
PLATE-CLUTCH OPERATING (Ref # 13187)	13187-1089	1
HOLDER (Ref # 13280)	13280-1266	1
RING-SNAP,PISTON PIN (Ref # 92036)	92036-007	1
BEARING-NEEDLE,FNTA-1326 (Ref # 92046)	92046-1190	1
BEARING-NEEDLE (Ref # 92046A)	92046-1299	1
BUSHING (Ref # 92139)	92139-1077	1
SPRING (Ref # 92145)	92145-1487	5
BOLT,6.25 (Ref # 92153)	92153-1123	5
WASHER (Ref # 92200)	92200-1178	1
WASHER,T=1.0 (Ref # 92200A)	92200-1547	AR
WASHER,T=1.5 (Ref # 92200B)	92200-1548	1
WASHER (Ref # 92200C)	92200-1621	1
NUT,16MM (Ref # 92210)	92210-1207	1