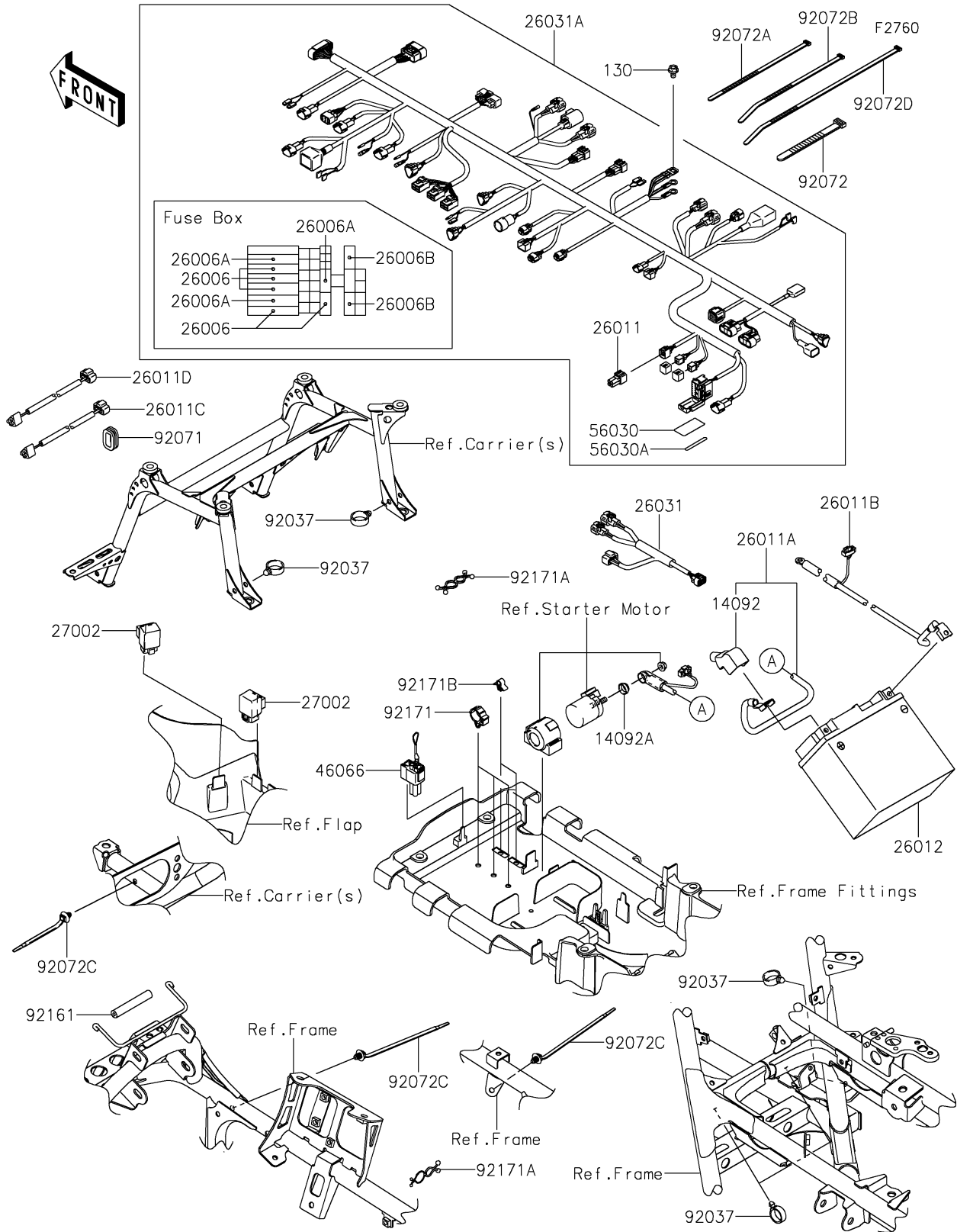


2021 BRUTE FORCE® 750 4x4i PARTS DIAGRAM

Chassis Electrical Equipment



2021 BRUTE FORCE® 750 4x4i PARTS LIST

Chassis Electrical Equipment

ITEM NAME	PART NUMBER	QUANTITY
BOLT-FLANGED,6X10 (Ref # 130)	130BA0610	1
COVER (Ref # 14092)	14092-0767	1
COVER,MAGNETIC SW. (Ref # 14092A)	14092-0851	1
FUSE,MINI BLADE,15A,BLUE (Ref # 26006)	26006-0001	5
FUSE,MINI BLADE,10A,RED (Ref # 26006A)	26006-0009	3
FUSE,MINI BLADE,30A,GREEN (Ref # 26006B)	26006-1080	2
WIRE-LEAD,CAP (Ref # 26011)	26011-0271	1
WIRE-LEAD,BATTERY(+) (Ref # 26011A)	26011-0303	1
WIRE-LEAD,BATTERY(-) (Ref # 26011B)	26011-0304	1
WIRE-LEAD,HEAD LAMP,RH (Ref # 26011C)	26011-0721	1
WIRE-LEAD,HEAD LAMP,LH (Ref # 26011D)	26011-0743	1
BATTERY,MF,KMX14-BS,12V 12AH (Ref # 26012)	26012-1414	1
HARNESS,SUB (Ref # 26031)	26031-0752	1
HARNESS,MAIN (Ref # 26031A)	26031-1740	1
RELAY-ASSY (Ref # 27002)	27002-1062	2
CONNECTOR-ASSY,RESET (Ref # 46066)	46066-0001	1
LABEL,FUSE BOX,10A&15A (Ref # 56030)	56030-0401	1
LABEL,FUSE BOX,30A (Ref # 56030A)	56030-0404	1
CLAMP,HOSE (Ref # 92037)	92037-1827	5
GROMMET (Ref # 92071)	92071-0708	1
BAND,L=123 (Ref # 92072)	92072-030	12
BAND,L=186 (Ref # 92072A)	92072-056	3
BAND,L=188 (Ref # 92072B)	92072-1239	4
BAND,OS170-FT7(BLACK) (Ref # 92072C)	92072-1414	3
BAND,L=292.1 (Ref # 92072D)	92072-3509	3
DAMPER,4.5X11X68 (Ref # 92161)	92161-0988	1
CLAMP,BRAKE HOSE (Ref # 92171)	92171-0316	3
CLAMP (Ref # 92171A)	92171-0476	2
CLAMP (Ref # 92171B)	92171-0477	2