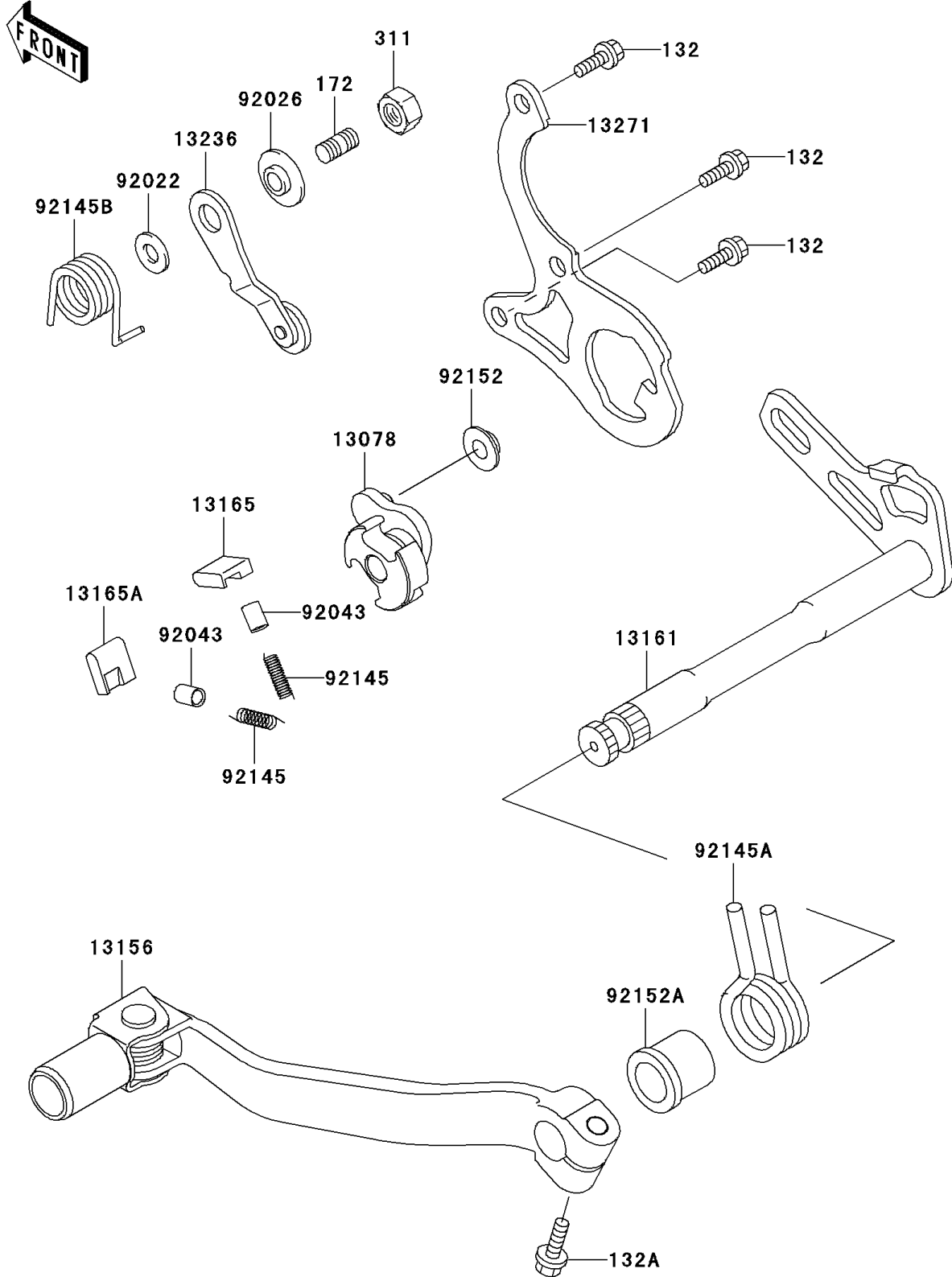


2003 KX125 PARTS DIAGRAM

Gear Change Mechanism

E1370



2003 KX125 PARTS LIST

Gear Change Mechanism

ITEM NAME	PART NUMBER	QUANTITY
BOLT-FLANGED-SMALL (Ref # 132)	132G0614	3
BOLT-FLANGED-SMALL (Ref # 132A)	132G0625	1
BOLT-STUD,6X12 (Ref # 172)	172G0612	1
NUT-HEX,6MM (Ref # 311)	311G0600	1
RATCHET (Ref # 13078)	13078-1071	1
LEVER-CHANGE (Ref # 13156)	13156-1493	1
LEVER-COMP-CHANGE SHAFT (Ref # 13161)	13161-1286	1
PAWL (Ref # 13165)	13165-1162	1
PAWL (Ref # 13165A)	13165-1163	1
LEVER-COMP,POSITION (Ref # 13236)	13236-1393	1
PLATE,PAWL GUIDE (Ref # 13271)	13271-1824	1
WASHER,6X12.8X1.2 (Ref # 92022)	92022-1827	1
SPACER (Ref # 92026)	92026-1217	1
PIN,PLUNGER (Ref # 92043)	92043-1676	2
SPRING (Ref # 92145)	92145-1490	2
SPRING,RETURN (Ref # 92145A)	92145-1493	1
SPRING,POSITION (Ref # 92145B)	92145-1494	1
COLLAR (Ref # 92152)	92152-1414	1
COLLAR,RETURN SPRING (Ref # 92152A)	92152-1419	1