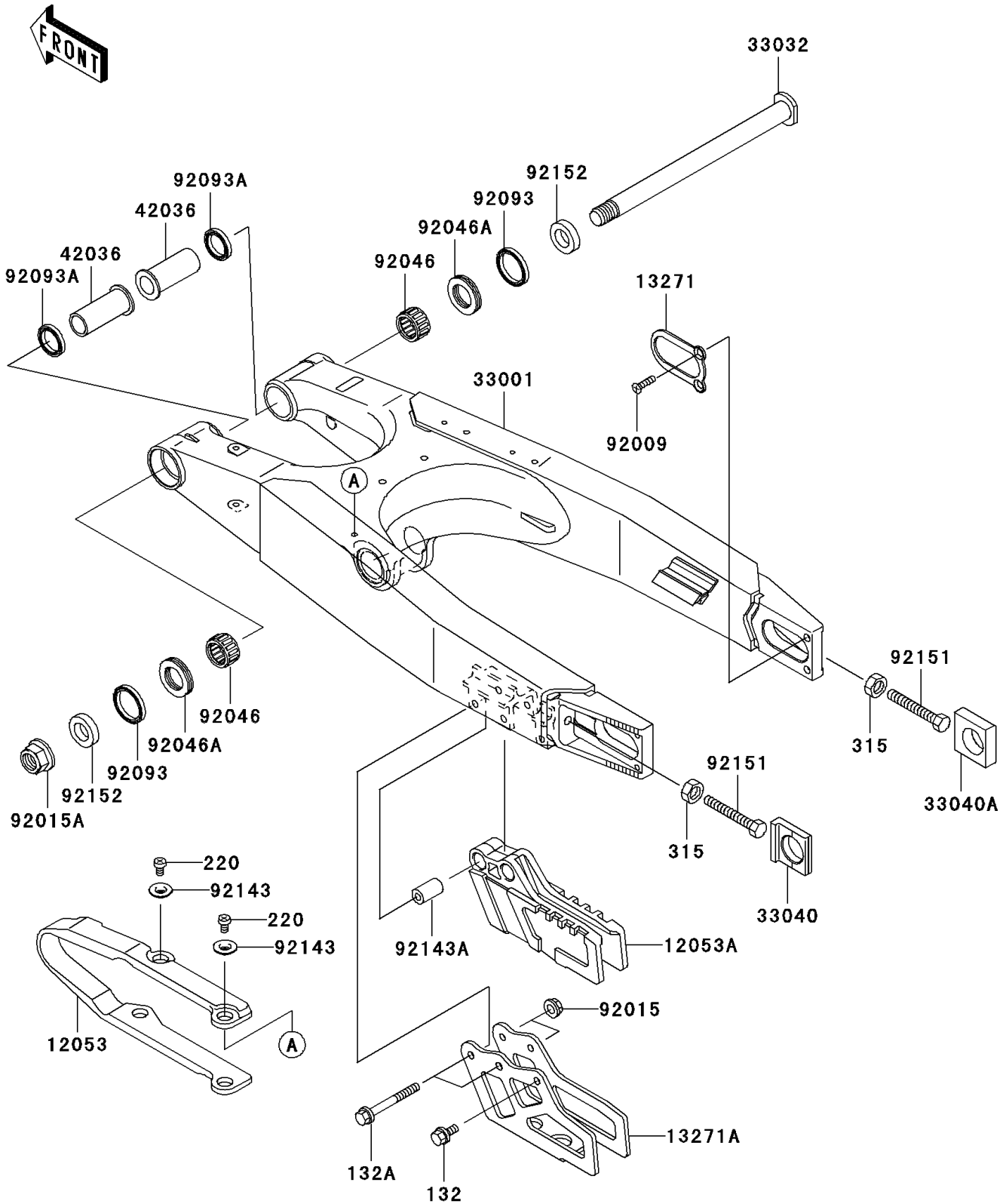


2003 KX125 PARTS DIAGRAM

Swingarm

F2141



2003 KX125 PARTS LIST

Swingarm

ITEM NAME	PART NUMBER	QUANTITY
BOLT-FLANGED-SMALL (Ref # 132)	132G0612	1
BOLT-FLANGED-SMALL (Ref # 132A)	132G0650	2
SCREW-PAN-CROS,5X8 (Ref # 220)	220B0508	4
NUT-HEX-FINE,10MM (Ref # 315)	315G1000	2
GUIDE-CHAIN,DRIVE,FR (Ref # 12053)	12053-1422	1
GUIDE-CHAIN (Ref # 12053A)	12053-1468	1
PLATE,AXLE (Ref # 13271)	13271-1833	2
PLATE,CHAIN GUIDE (Ref # 13271A)	13271-1834	1
ARM-COMP-SWING,SILVER (Ref # 33001)	33001-1628-CE	1
SHAFT-SWING ARM (Ref # 33032)	33032-1189	1
ADJUSTER-CHAIN,LH (Ref # 33040)	33040-1189	1
ADJUSTER-CHAIN,RH (Ref # 33040A)	33040-1190	1
SLEEVE,SWING ARM,L=54 (Ref # 42036)	42036-1326	2
SCREW,5X10 (Ref # 92009)	92009-1828	4
NUT,FLANGED,6MM (Ref # 92015)	92015-1078	2
NUT,FLANGED,16MM (Ref # 92015A)	92015-1316	1
BEARING-NEEDLE,TA2230Z (Ref # 92046)	92046-1174	2
BEARING-NEEDLE,NTBR22356E01 (Ref # 92046A)	92046-1240	2
SEAL,SDO29X35X4.5 (Ref # 92093)	92093-1434	2
SEAL,SDO22X29X5 (Ref # 92093A)	92093-1435	2
COLLAR (Ref # 92143)	92143-1676	4
COLLAR,6.5X14X24 (Ref # 92143A)	92143-1867	2
BOLT,10X55 (Ref # 92151)	92151-1397	2
COLLAR,17.1X29X7.5 (Ref # 92152)	92152-1137	2