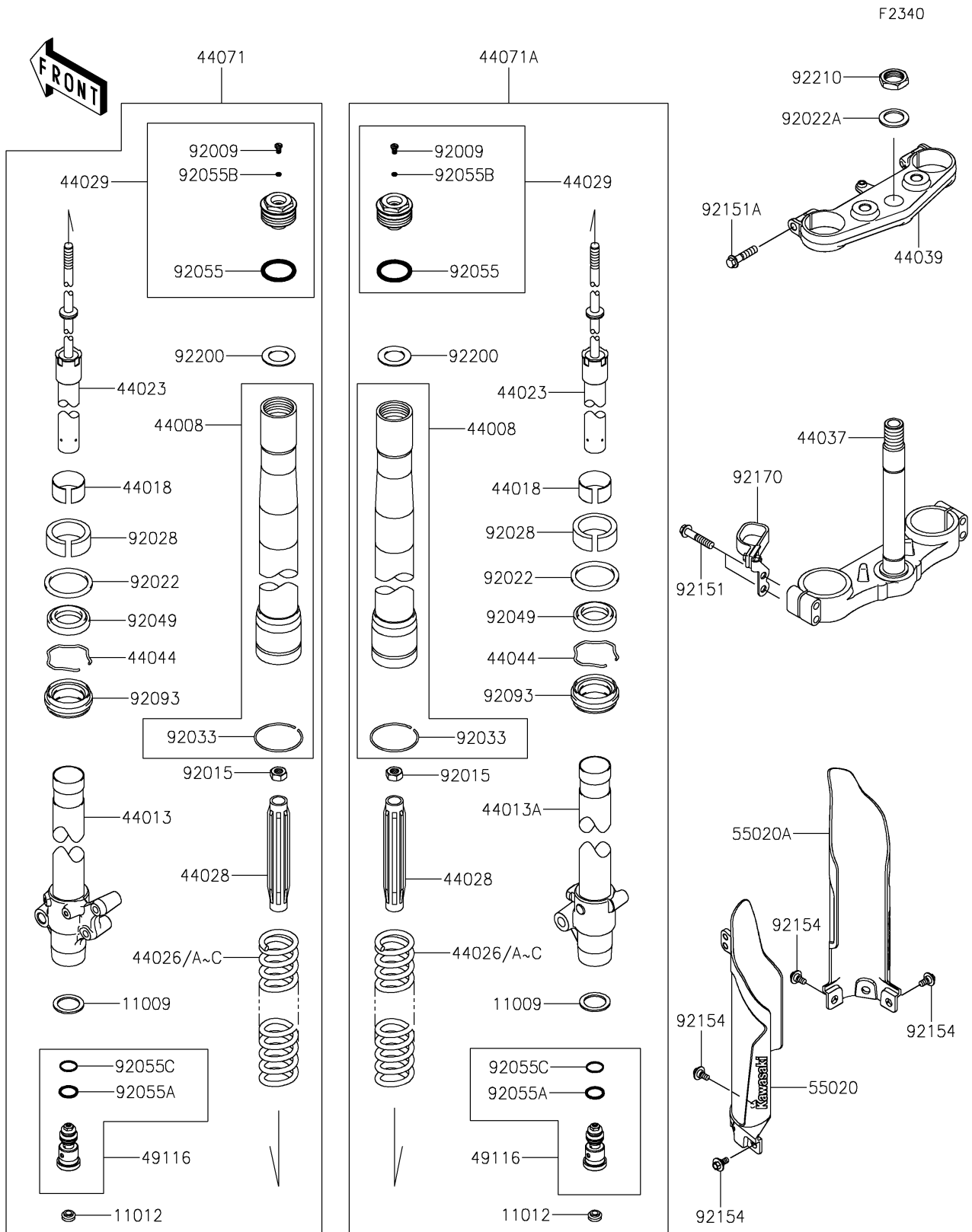


2021 KX™100 PARTS DIAGRAM

Front Fork



2021 KX™100 PARTS LIST

Front Fork

ITEM NAME	PART NUMBER	QUANTITY
GASKET,FORK CYLINDER BOLT (Ref # 11009)	11009-1592	2
CAP (Ref # 11012)	11012-1692	2
PIPE-FORK OUTER,K.GOLD (Ref # 44008)	44008-0068-828	2
PIPE-FORK INNER,LH (Ref # 44013)	44013-0215	1
PIPE-FORK INNER,RH (Ref # 44013A)	44013-0216	1
PISTON-FORK (Ref # 44018)	44018-1058	2
CYLINDER-SET-FORK (Ref # 44023)	44023-0113	2
SPRING-FRONT FORK,K=2.75N/MM (Ref # 44026)	44026-1633	2
SPRING-FRONT FORK,K=2.84N/MM (Ref # 44026A)	44026-1634	2
SPRING-FRONT FORK,K=2.94N/MM (Ref # 44026B)	44026-1635	2
SPRING-FRONT FORK,K=2.65N/MM (Ref # 44026C)	44026-1671	2
GUIDE-FORK SPRING (Ref # 44028)	44028-1090	2
SEAT-FORK SPRING,G.B.GREEN (Ref # 44029)	44029-0024-50Y	2
HOLDER-FORK UNDER,F.BLACK (Ref # 44037)	44037-0139-21	1
HOLDER-FORK UPPER,F.BLACK (Ref # 44039)	44039-0128-21	1
RING-SNAP (Ref # 44044)	44044-015	2
DAMPER-ASSY,FORK,LH,K.GOLD (Ref # 44071)	44071-1361-59Z	1
DAMPER-ASSY,FORK,RH,K.GOLD (Ref # 44071A)	44071-1362-59Z	1
VALVE-ASSY,BASE (Ref # 49116)	49116-0038	2
GUARD,FORK,LH,BLACK (Ref # 55020)	55020-0896-6D	1
GUARD,FORK,RH,BLACK (Ref # 55020A)	55020-0897-6D	1
SCREW (Ref # 92009)	92009-1568	2
NUT (Ref # 92015)	92015-1839	2
WASHER,FRONT FORK (Ref # 92022)	92022-1275	2
WASHER,STEERING STEM (Ref # 92022A)	92022-1873	1
BUSHING (Ref # 92028)	92028-1656	2
RING-SNAP (Ref # 92033)	92033-0737	2
SEAL-OIL,FORK OUTER TUBE (Ref # 92049)	92049-1394	2
RING-O (Ref # 92055)	92055-1123	2

2021 KX™100 PARTS LIST

Front Fork

ITEM NAME	PART NUMBER	QUANTITY
RING-O (Ref # 92055A)	92055-1156	2
RING-O,2.8X6.6X1.9 (Ref # 92055B)	92055-1441	2
RING-O,FORK VALVE (Ref # 92055C)	92055-1502	2
SEAL,FORK OUTER TUBE (Ref # 92093)	92093-1426	2
BOLT,FLANGED,8X40 (Ref # 92151)	92151-1877	4
BOLT,FLANGED,8X35 (Ref # 92151A)	92151-1878	2
BOLT,FLANGED,6X9 (Ref # 92154)	92154-0546	6
CLAMP (Ref # 92170)	92170-1810	1
WASHER (Ref # 92200)	92200-1655	2
NUT,STEERING STEM,22MM (Ref # 92210)	92210-1521	1