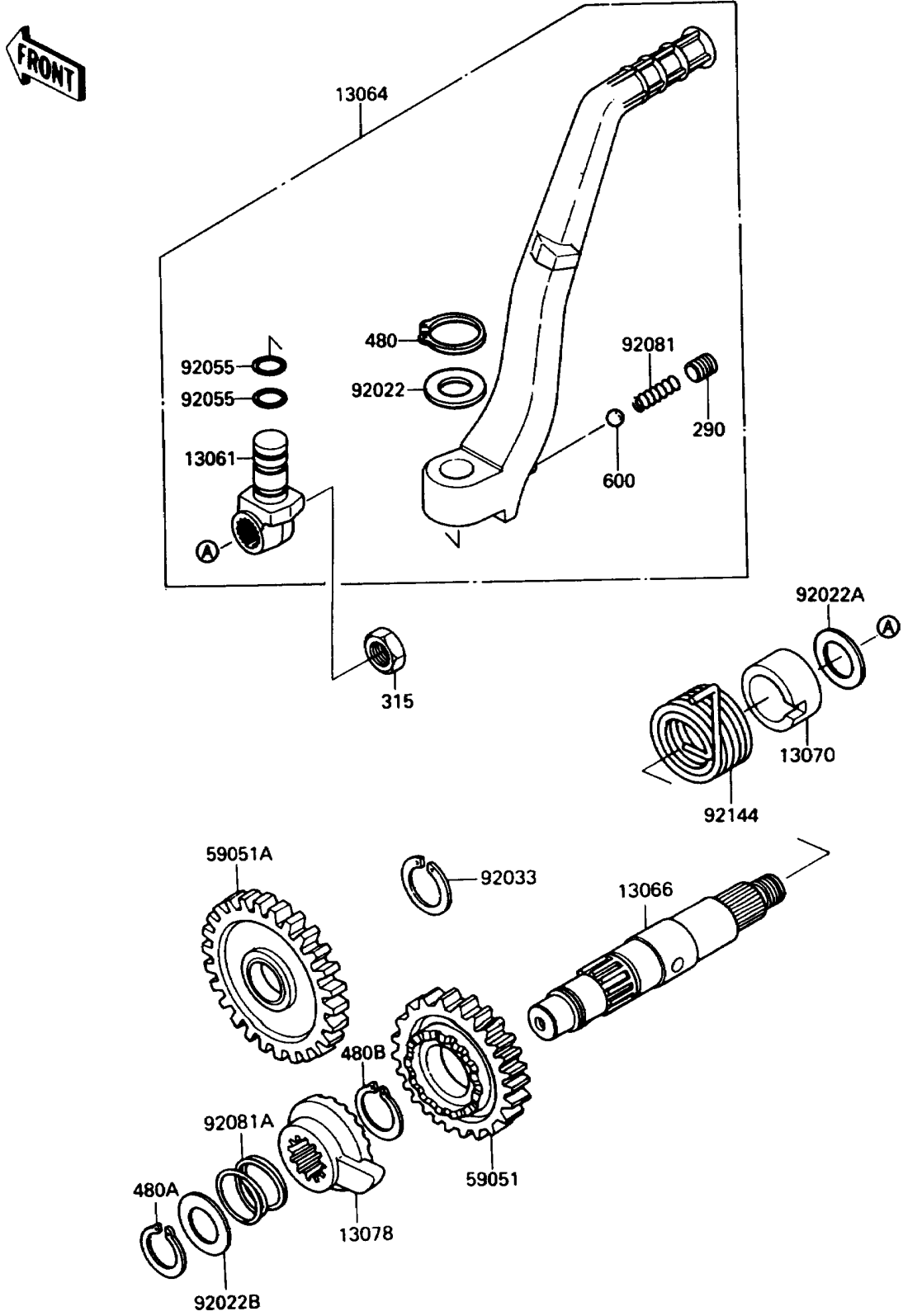


1989 KX250 PARTS DIAGRAM

Kickstarter Mechanism

(E1340)



1989 KX250 PARTS LIST

Kickstarter Mechanism

ITEM NAME	PART NUMBER	QUANTITY
BOSS,KICK PEDAL (Ref # 13061)	13061-1255	1
LEVER-ASSY-KICK,PEDAL (Ref # 13064)	13064-1135	1
SHAFT-KICK (Ref # 13066)	13066-1068	1
GUIDE,KICK SPRING (Ref # 13070)	13070-1063	1
RATCHET (Ref # 13078)	13078-1007	1
GEAR,KICKSTARTER,26T (Ref # 59051)	59051-1177	1
GEAR,KICKSTARTER IDLE,26T (Ref # 59051A)	59051-1178	1
WASHER,16.3X24X1 (Ref # 92022)	92022-1205	1
WASHER,18.3X22X0.5 (Ref # 92022A)	92022-271	1
WASHER,16.8X22X0.5 (Ref # 92022B)	92022-315	1
RING-SNAP,18MM (Ref # 92033)	92033-029	1
RING-O,10X1.5 (Ref # 92055)	92055-061	2
SPRING,KICK PEDAL (Ref # 92081)	92081-020	1
SPRING,RATCHET (Ref # 92081A)	92081-122	1
SPRING,KICKSTARTER (Ref # 92144)	92144-1076	1
SCREW-SET-SOCKET (Ref # 290)	290P0812	1
NUT-HEX-FINE (Ref # 315)	315B1200	1
CIRCLIP-TYPE-C,15MM (Ref # 480)	480J1500	1
CIRCLIP-TYPE-C,16MM (Ref # 480A)	480J1600	1
CIRCLIP-TYPE-C,18MM (Ref # 480B)	480J1800	1
BALL-STEEL,1/4" (Ref # 600)	600A0800	1