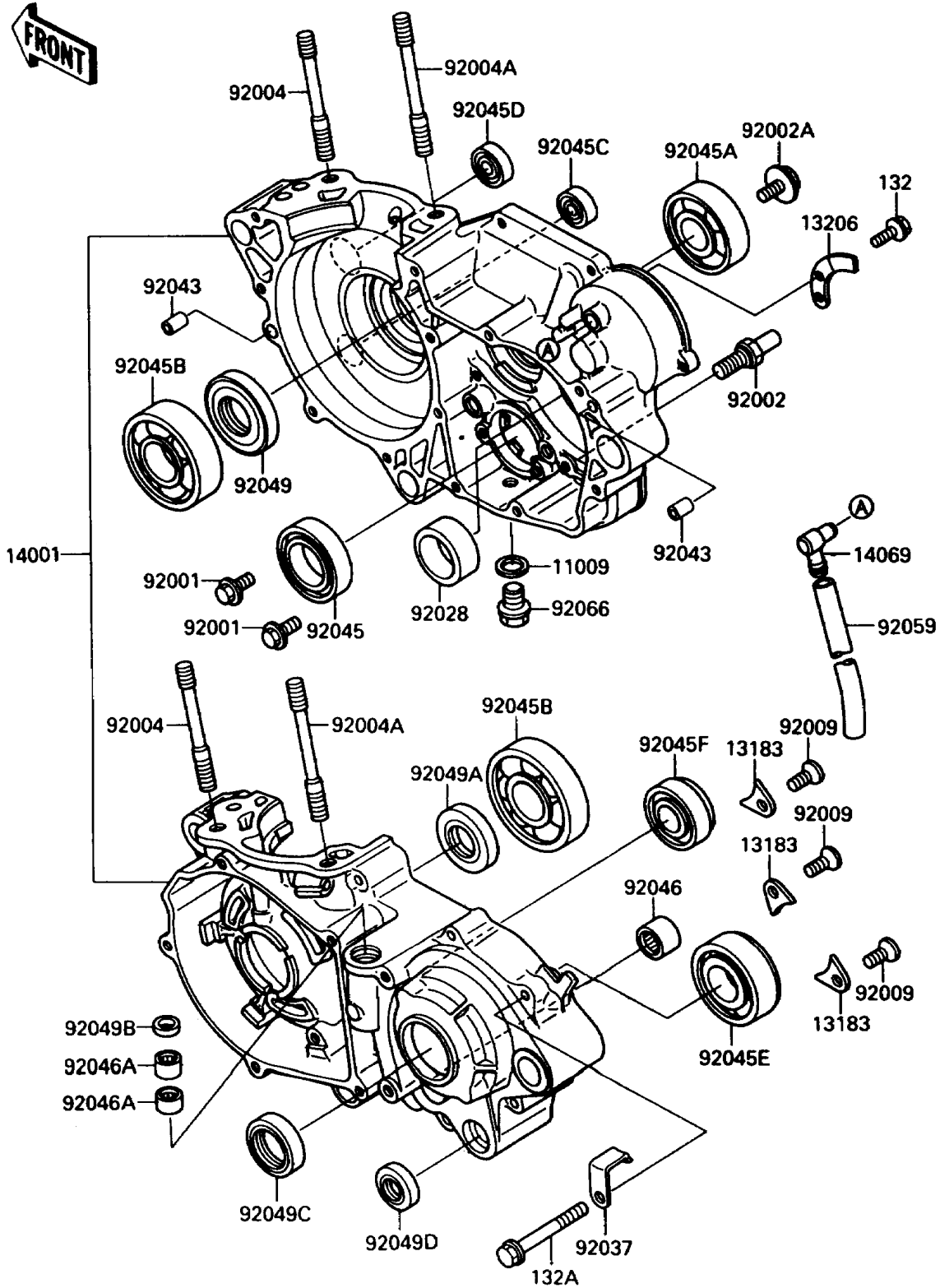


# 1989 KX250 PARTS DIAGRAM

Crankcase

(E1411 )



# 1989 KX250 PARTS LIST

## Crankcase

ITEM NAME	PART NUMBER	QUANTITY
GASKET,10.5X16X1,DRAIN PLUG (Ref # 11009)	92065-058	1
PLATE (Ref # 13183)	13183-1182	3
GUIDE-KICK (Ref # 13206)	13206-1001	1
SET-CRANKCASE (Ref # 14001)	14001-5260	1
BREATHER (Ref # 14069)	14069-003	1
BOLT,W/WASHER,6X14 (Ref # 92001)	92001-1829	2
BOLT,8X15 (Ref # 92002)	92002-1601	1
BOLT,6X16 (Ref # 92002A)	92002-1659	2
STUD,10X53 (Ref # 92004)	92004-1165	2
STUD,10X55 (Ref # 92004A)	92004-1176	2
SCREW,6X10 (Ref # 92009)	92009-1563	3
BUSHING,26X35X14 (Ref # 92028)	92028-131	1
CLAMP,HARNESS (Ref # 92037)	92037-1318	1
PIN,DOWEL,6.3X8X14 (Ref # 92043)	92042-007	2
BEARING-BALL,#6905 (Ref # 92045)	92045-036	1
BEARING-BALL,63/22T2C3 (Ref # 92045A)	92045-1134	1
BEARING-BALL,TMB3/28JR2C3 (Ref # 92045B)	92045-1183	2
BEARING-BALL (Ref # 92045C)	92045-1211	1
BEARING-BALL (Ref # 92045D)	92045-1212	1
BEARING-BALL,TM-SX05A46 (Ref # 92045E)	92045-1214	1
BEARING-BALL (Ref # 92045F)	92045-1233	1
BEARING-NEEDLE,7E-HK1412 (Ref # 92046)	92046-037	1
BEARING-NEEDLE,HK1210 (Ref # 92046A)	92046-1010	2
SEAL-OIL,TCJ25457 (Ref # 92049)	92049-1051	1
SEAL-OIL,TCJ20407 (Ref # 92049A)	92049-1052	1
SEAL-OIL (Ref # 92049B)	92049-1262	1
SEAL-OIL,TB3040 (Ref # 92049C)	92050-033	1
SEAL-OIL,TB13225.5 (Ref # 92049D)	92051-005	1
TUBE,6X9X280 (Ref # 92059)	92059-1074	1

# 1989 KX250 PARTS LIST

## Crankcase

ITEM NAME	PART NUMBER	QUANTITY
PLUG,DRAIN (Ref # 92066)	92066-1241	1
BOLT-FLANGED-SMALL (Ref # 132)	132G0616	1
BOLT-FLANGED-SMALL (Ref # 132A)	132G0645	12