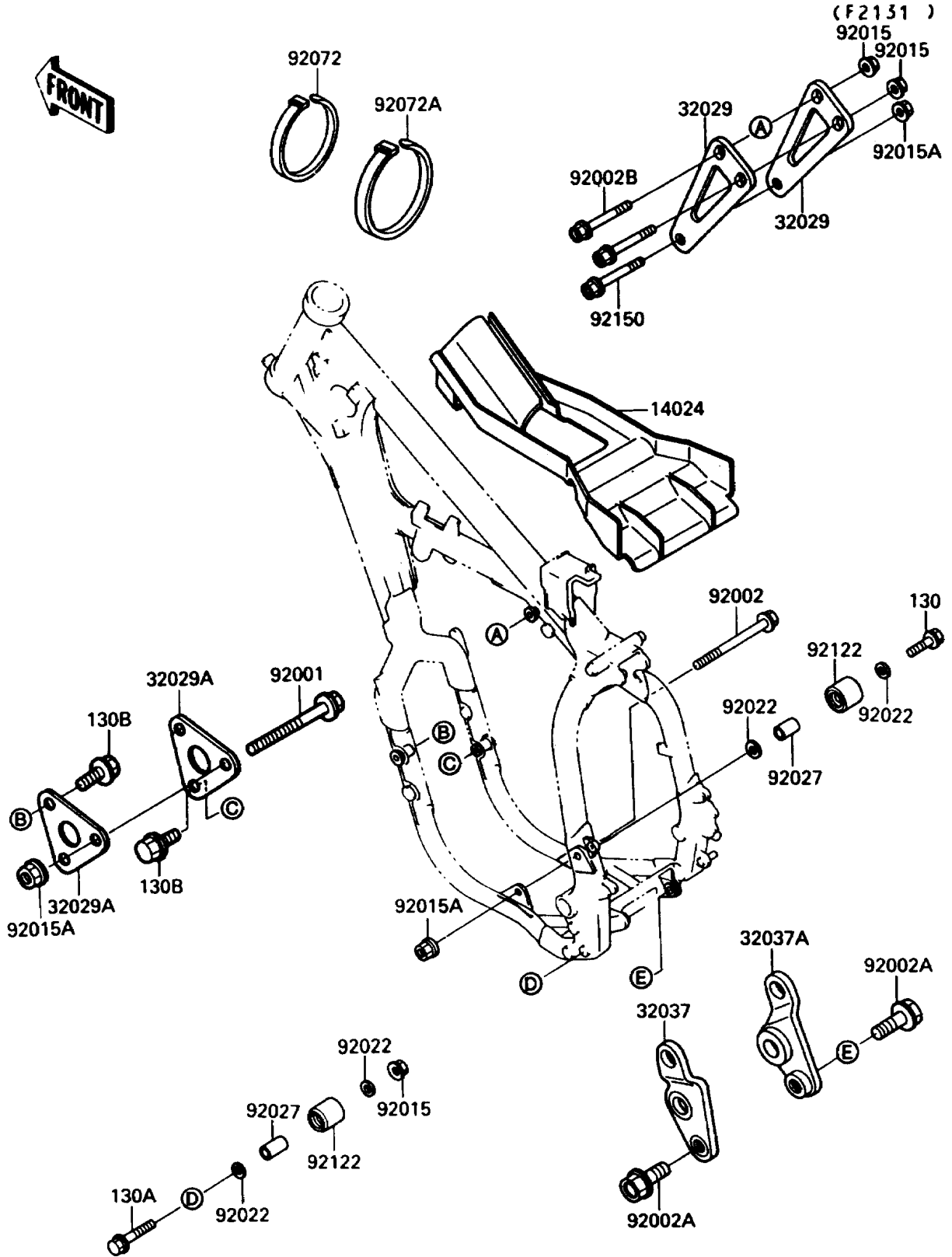


# 1989 KX250 PARTS DIAGRAM

## Frame Fittings



# 1989 KX250 PARTS LIST

## Frame Fittings

| ITEM NAME                               | PART NUMBER | QUANTITY |
|-----------------------------------------|-------------|----------|
| COVER,AIR FILTER (Ref # 14024)          | 14024-1561  | 1        |
| BRACKET-ENGINE (Ref # 32029)            | 32029-1649  | 2        |
| BRACKET-ENGINE (Ref # 32029A)           | 32029-1651  | 2        |
| BRACKET-SHOCKABSORBER,LH (Ref # 32037)  | 32037-1495  | 1        |
| BRACKET-SHOCKABSORBER,RH (Ref # 32037A) | 32037-1496  | 1        |
| BOLT,FLANGED,10X92 (Ref # 92001)        | 92001-1701  | 1        |
| BOLT,FLANGED,10X105 (Ref # 92002)       | 92002-1491  | 1        |
| BOLT,FLANGED,12X24 (Ref # 92002A)       | 92002-1845  | 2        |
| BOLT,FLANGED,8X47 (Ref # 92002B)        | 92002-1850  | 2        |
| NUT,8MM (Ref # 92015)                   | 92015-1143  | 3        |
| NUT,FLANGED,10MM (Ref # 92015A)         | 92015-1502  | 3        |
| WASHER,8.5X22X1.5 (Ref # 92022)         | 92022-1629  | 4        |
| COLLAR,CHAIN ROLLER (Ref # 92027)       | 92027-1670  | 2        |
| BAND,L=149 (Ref # 92072)                | 92072-031   | 1        |
| BAND,L=218 (Ref # 92072A)               | 92072-032   | 1        |
| ROLLER,CHAIN GUIDE (Ref # 92122)        | 92122-1153  | 2        |
| BOLT,FLANGED,10X50 (Ref # 92150)        | 92150-1125  | 1        |
| BOLT-FLANGED,8X40 (Ref # 130)           | 130G0840    | 1        |
| BOLT-FLANGED,8X70 (Ref # 130A)          | 130G0870    | 1        |
| BOLT-FLANGED (Ref # 130B)               | 130P0825    | 4        |