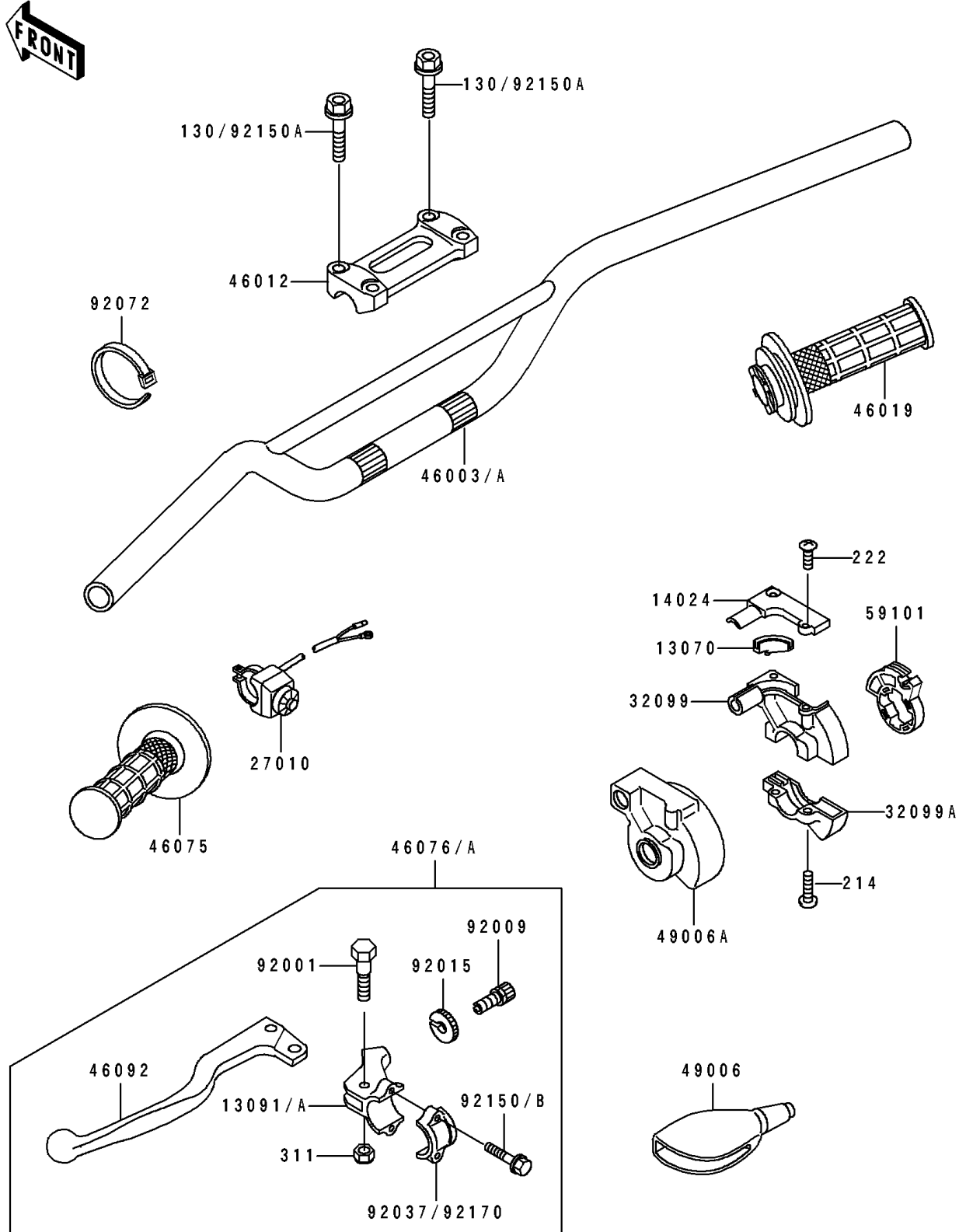


# 1990 KX250 PARTS DIAGRAM

Handlebar

F2310



# 1990 KX250 PARTS LIST

## Handlebar

ITEM NAME	PART NUMBER	QUANTITY
GUIDE,THROTTLE PEACE (Ref # 13070)	13070-1073	1
HOLDER,CLUTCH LEVER (Ref # 13091)	13091-1680	1
COVER,THROTTLE CASE UPP (Ref # 14024)	14025-1646	1
SWITCH,ENGINE STOP (Ref # 27010)	27010-1161	1
CASE,THROTTLE UPP (Ref # 32099)	32099-1036	1
CASE,THROTTLE LWR (Ref # 32099A)	32099-1044	1
HANDLE (Ref # 46003A)	46003-1313	1
HOLDER-HANDLE,UPP (Ref # 46012)	46012-1190	1
GRIP-ASSY,THROTTLE (Ref # 46019)	46019-1054	1
GRIP,LH (Ref # 46075)	46075-1024	1
LEVER-ASSY-GRIP,CLUTCH (Ref # 46076)	46076-1177	1
LEVER-GRIP,CLUTCH (Ref # 46092)	46092-1165	1
BOOT,LEVER HOLDER (Ref # 49006)	49006-1017	1
BOOT,THROTTLE CASE (Ref # 49006A)	49006-1097	1
REEL,THROTTLE (Ref # 59101)	59101-1103	1
BOLT,5X22 (Ref # 92001)	92007-046	1
SCREW,CABLE ADJUST,8MM (Ref # 92009)	92009-1435	1
NUT,CABLE ADJUST LOCK (Ref # 92015)	92015-1596	1
CLAMP,LEVER HOLDER (Ref # 92037)	92037-1621	1
BAND,L=123 (Ref # 92072)	92072-030	1
BOLT,5X20 (Ref # 92150)	92150-1389	2
BOLT-FLANGED,8X30 (Ref # 130)	130G0830	4
SCREW-PAN+- (Ref # 214)	214C0518	2
SCREW-CSK-RD-CROS (Ref # 222)	222E0412	2
NUT-HEX (Ref # 311)	311C0500	1