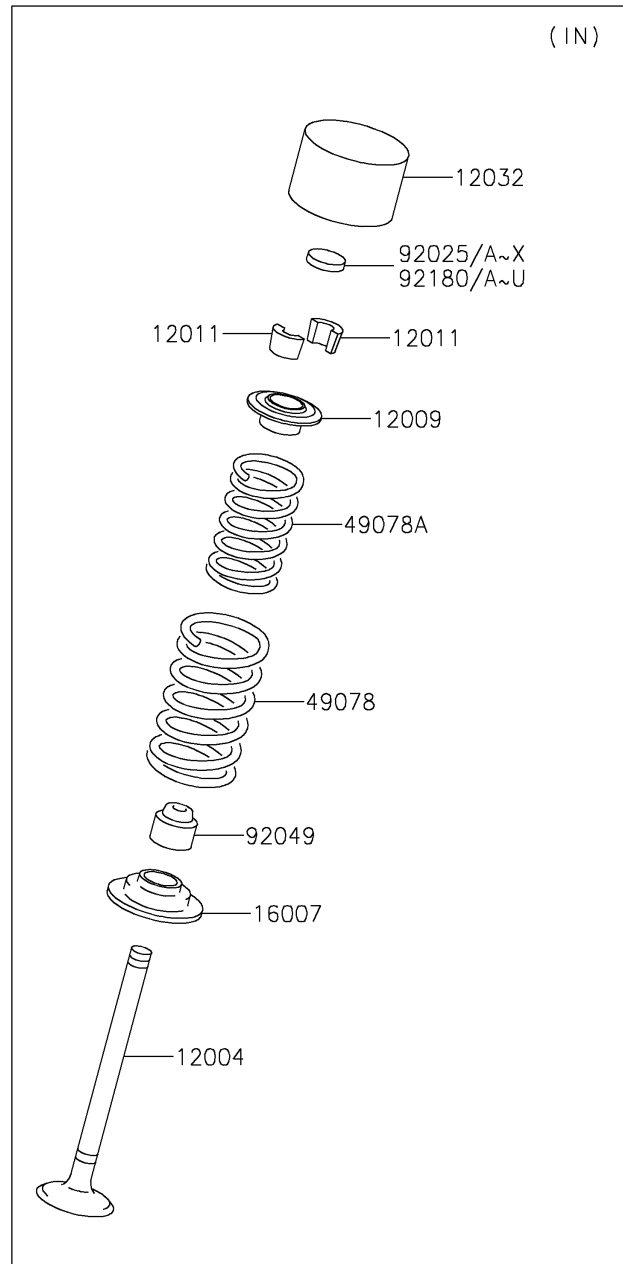
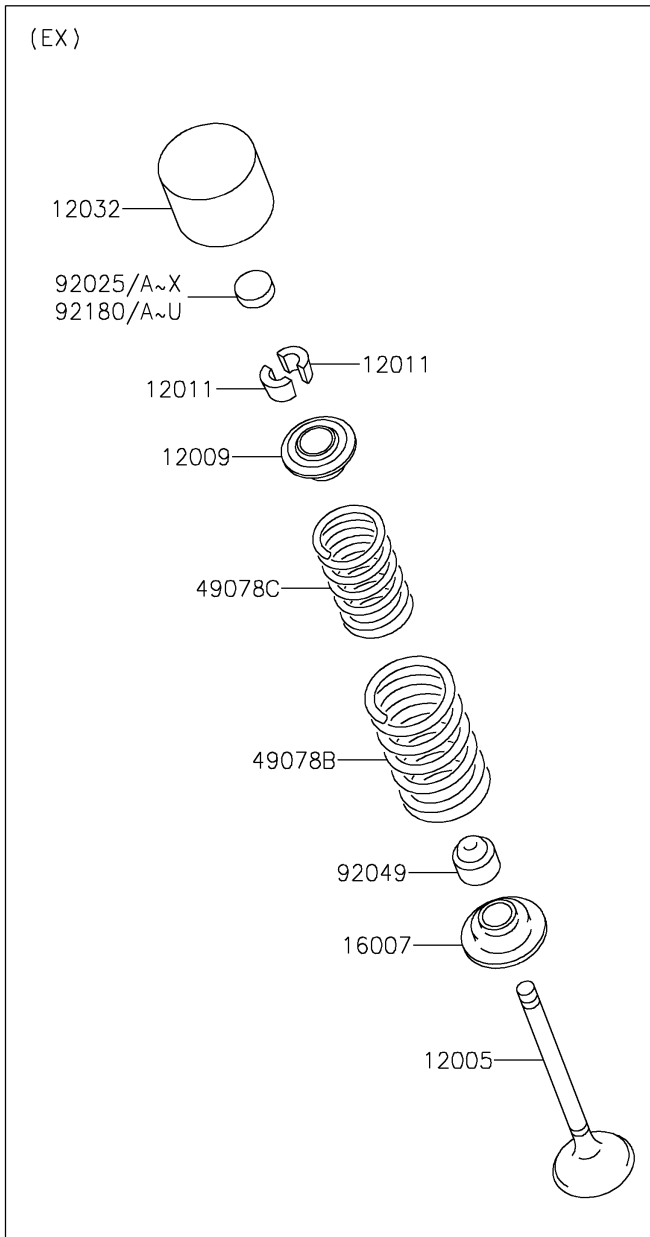


# 2021 JET SKI® ULTRA® 310X PARTS DIAGRAM

Valve(s)

E1210



## 2021 JET SKI® ULTRA® 310X PARTS LIST

Valve(s)

| ITEM NAME                                 | PART NUMBER | QUANTITY |
|---|-------------|----------|
| VALVE-INTAKE (Ref # 12004)                | 12004-1154  | 8        |
| VALVE-EXHAUST (Ref # 12005)               | 12005-0723  | 8        |
| RETAINER-VALVE SPRING (Ref # 12009)       | 12009-3701  | 16       |
| COLLET (Ref # 12011)                      | 12011-1051  | 32       |
| TAPPET (Ref # 12032)                      | 12032-3701  | 16       |
| SEAT-SPRING (Ref # 16007)                 | 16007-1163  | 16       |
| SPRING-VALVE,INTAKE,OUTER (Ref # 49078)   | 49078-1194  | 8        |
| SPRING-VALVE,INTAKE,INNER (Ref # 49078A)  | 49078-1195  | 8        |
| SPRING-VALVE,EXHAUST,OUTER (Ref # 49078B) | 49078-1197  | 8        |
| SPRING-VALVE,EXHAUST,INNER (Ref # 49078C) | 49078-1198  | 8        |
| SHIM,T=2.00 (Ref # 92025)                 | 92025-1870  | 16       |
| SHIM,T=2.05 (Ref # 92025A)                | 92025-1871  | AR       |
| SHIM,T=2.10 (Ref # 92025B)                | 92025-1872  | AR       |
| SHIM,T=2.15 (Ref # 92025C)                | 92025-1873  | AR       |
| SHIM,T=2.20 (Ref # 92025D)                | 92025-1874  | AR       |
| SHIM,T=2.25 (Ref # 92025E)                | 92025-1875  | AR       |
| SHIM,T=2.30 (Ref # 92025F)                | 92025-1876  | AR       |
| SHIM,T=2.35 (Ref # 92025G)                | 92025-1877  | AR       |
| SHIM,T=2.40 (Ref # 92025H)                | 92025-1878  | AR       |
| SHIM,T=2.45 (Ref # 92025I)                | 92025-1879  | AR       |
| SHIM,T=2.50 (Ref # 92025J)                | 92025-1880  | AR       |
| SHIM,T=2.55 (Ref # 92025K)                | 92025-1881  | AR       |
| SHIM,T=2.60 (Ref # 92025L)                | 92025-1882  | AR       |
| SHIM,T=2.65 (Ref # 92025M)                | 92025-1883  | AR       |
| SHIM,T=2.70 (Ref # 92025N)                | 92025-1884  | AR       |
| SHIM,T=2.75 (Ref # 92025O)                | 92025-1885  | AR       |
| SHIM,T=2.80 (Ref # 92025P)                | 92025-1886  | AR       |
| SHIM,T=2.85 (Ref # 92025Q)                | 92025-1887  | AR       |
| SHIM,T=2.90 (Ref # 92025R)                | 92025-1888  | AR       |

## 2021 JET SKI® ULTRA® 310X PARTS LIST

Valve(s)

| ITEM NAME                           | PART NUMBER | QUANTITY |
|-------------------------------------|-------------|----------|
| SHIM,T=2.95 (Ref # 92025S)          | 92025-1889  | AR       |
| SHIM,T=3.00 (Ref # 92025T)          | 92025-1890  | AR       |
| SHIM,T=2.425 (Ref # 92025U)         | 92025-1982  | AR       |
| SHIM,T=2.475 (Ref # 92025V)         | 92025-1983  | AR       |
| SHIM,T=2.525 (Ref # 92025W)         | 92025-1984  | AR       |
| SHIM,T=2.575 (Ref # 92025X)         | 92025-1985  | AR       |
| SEAL-OIL,RVCI 5X8.7X8 (Ref # 92049) | 92049-1509  | 16       |
| SHIM,T=2.025 (Ref # 92180)          | 92180-0209  | AR       |
| SHIM,T=2.075 (Ref # 92180A)         | 92180-0210  | AR       |
| SHIM,T=2.125 (Ref # 92180B)         | 92180-0211  | AR       |
| SHIM,T=2.175 (Ref # 92180C)         | 92180-0212  | AR       |
| SHIM,T=2.225 (Ref # 92180D)         | 92180-0213  | AR       |
| SHIM,T=2.275 (Ref # 92180E)         | 92180-0214  | AR       |
| SHIM,T=2.325 (Ref # 92180F)         | 92180-0215  | AR       |
| SHIM,T=1.775 (Ref # 92180G)         | 92180-0221  | AR       |
| SHIM,T=1.825 (Ref # 92180H)         | 92180-0222  | AR       |
| SHIM,T=1.875 (Ref # 92180I)         | 92180-0223  | AR       |
| SHIM,T=1.925 (Ref # 92180J)         | 92180-0224  | AR       |
| SHIM,T=1.975 (Ref # 92180K)         | 92180-0225  | AR       |
| SHIM,T=2.375 (Ref # 92180L)         | 92180-1058  | AR       |
| SHIM,T=2.625 (Ref # 92180M)         | 92180-1059  | AR       |
| SHIM,T=2.675 (Ref # 92180N)         | 92180-1194  | AR       |
| SHIM,T=2.725 (Ref # 92180O)         | 92180-1195  | AR       |
| SHIM,T=2.775 (Ref # 92180P)         | 92180-1196  | AR       |
| SHIM,T=1.95 (Ref # 92180Q)          | 92180-1208  | AR       |
| SHIM,T=1.90 (Ref # 92180R)          | 92180-1209  | AR       |
| SHIM,T=1.85 (Ref # 92180S)          | 92180-1210  | AR       |
| SHIM,T=1.80 (Ref # 92180T)          | 92180-1211  | AR       |
| SHIM,T=1.75 (Ref # 92180U)          | 92180-1212  | AR       |