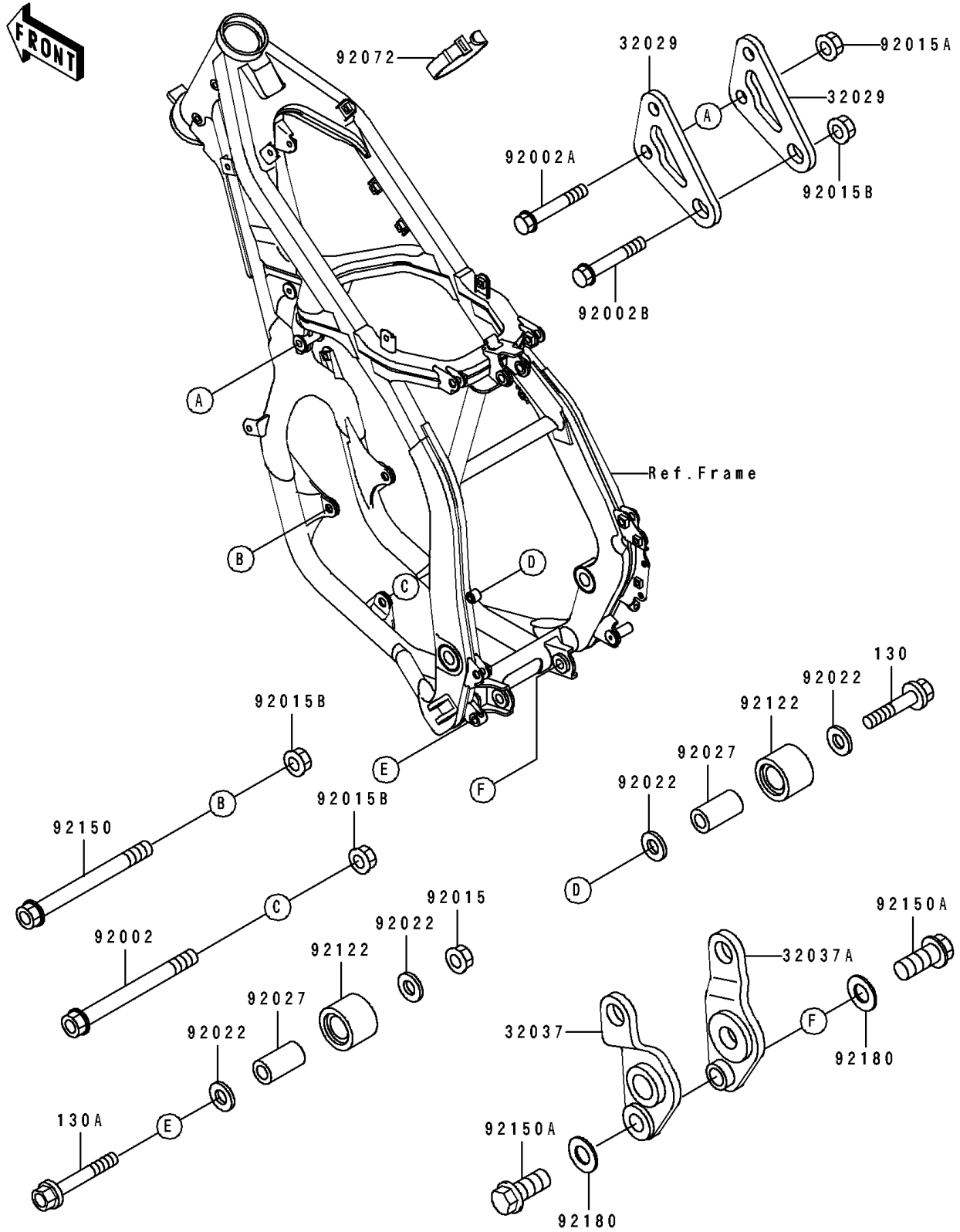


1992 KX250 PARTS DIAGRAM

Frame Fitting

F2131



1992 KX250 PARTS LIST

Frame Fitting

ITEM NAME	PART NUMBER	QUANTITY
BRACKET-ENGINE (Ref # 32029)	32029-1791	2
BRACKET-SHOCKABSORBER,LWR,LH (Ref # 32037)	32037-1581	1
BRACKET-SHOCKABSORBER,LWR,RH (Ref # 32037A)	32037-1582	1
BOLT,FLANGED,10X105 (Ref # 92002)	92002-1491	1
BOLT,FLANGED,8X52 (Ref # 92002A)	92002-1857	2
BOLT,FLANGED,10X53 (Ref # 92002B)	92002-1936	1
NUT,8MM (Ref # 92015)	92015-1143	1
NUT,8MM (Ref # 92015A)	92015-1432	2
NUT,FLANGED,10MM (Ref # 92015B)	92015-1502	3
WASHER,8.5X22X1.5 (Ref # 92022)	92022-1629	4
COLLAR,CHAIN ROLLER (Ref # 92027)	92027-1670	2
BAND,L=186 (Ref # 92072)	92072-056	3
ROLLER,CHAIN GUIDE (Ref # 92122)	92122-1153	2
BOLT,FLANGED,10X95 (Ref # 92150)	92150-1230	1
BOLT,FLANGED,12X27 (Ref # 92150A)	92150-1359	2
SHIM,12.5X24X0.5 (Ref # 92180)	92180-1060	2
BOLT-FLANGED,8X40 (Ref # 130)	130G0840	1
BOLT-FLANGED,8X55 (Ref # 130A)	130G0855	1