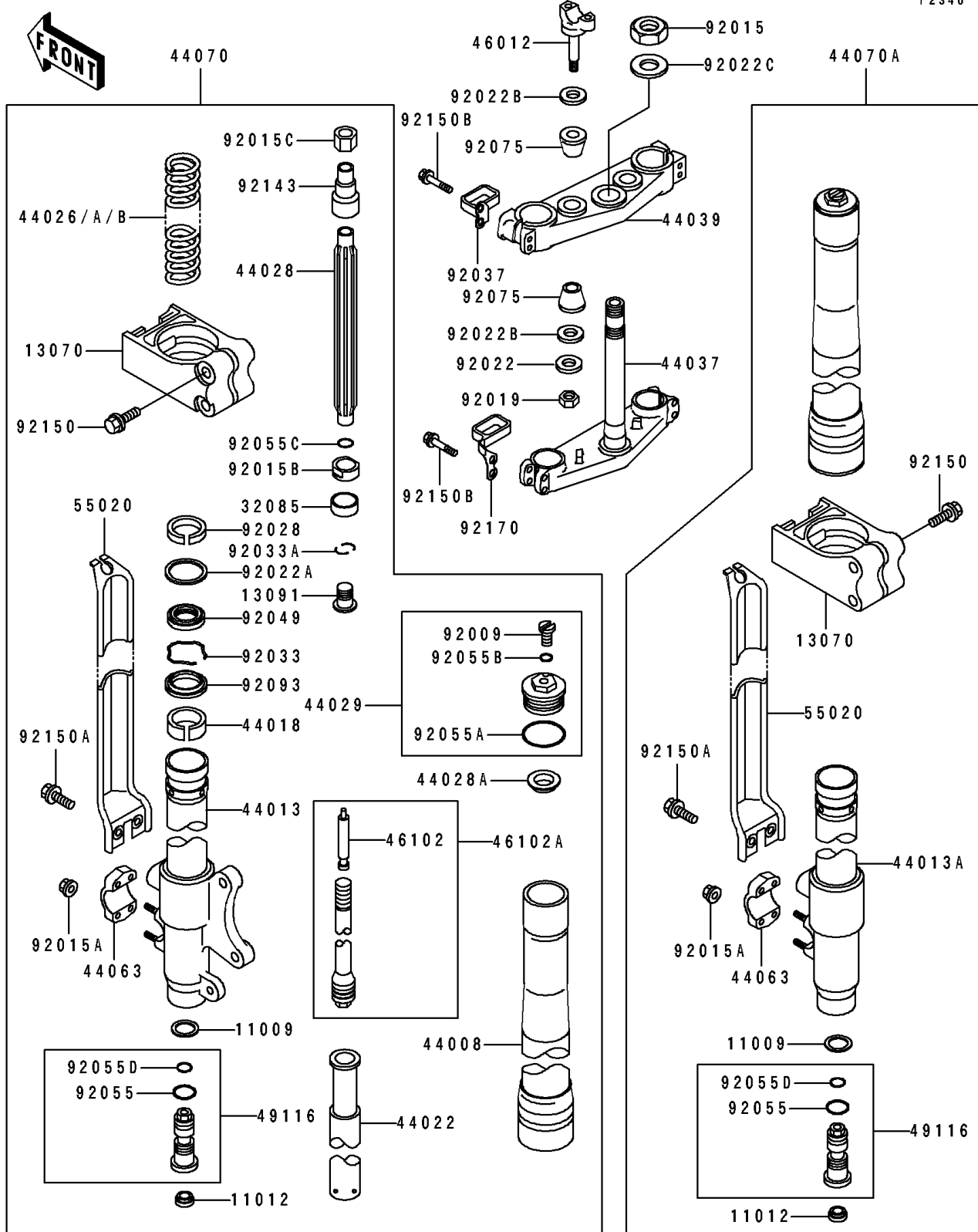


1992 KX250 PARTS DIAGRAM

Front Fork

F2340



1992 KX250 PARTS LIST

Front Fork

ITEM NAME	PART NUMBER	QUANTITY
GASKET (Ref # 11009)	11009-1791	2
CAP (Ref # 11012)	11012-1692	2
GUIDE (Ref # 13070)	13070-1204	2
HOLDER (Ref # 13091)	13091-1651	2
STOPPER (Ref # 32085)	32085-1323	2
PIPE-FORK OUTER (Ref # 44008)	44008-1021	2
PIPE-FORK INNER,LH (Ref # 44013)	44013-1369	1
PIPE-FORK INNER,RH (Ref # 44013A)	44013-1370	1
PISTON-FORK,INNER PIPE (Ref # 44018)	44018-1056	2
CYLINDER-FORK (Ref # 44022)	44022-1276	2
SPRING-FRONT FORK,K=0.39 (Ref # 44026)	44026-1486	2
SPRING-FRONT FORK,K=0.38 (Ref # 44026A)	44026-1489	2
SPRING-FRONT FORK,K=0.40 (Ref # 44026B)	44026-1491	2
GUIDE-FORK SPRING (Ref # 44028)	44028-1080	2
GUIDE-FORK SPRING (Ref # 44028A)	44028-1081	2
SEAT-FORK SPRING (Ref # 44029)	44029-1148	2
HOLDER-FORK UNDER (Ref # 44037)	44037-1298	1
HOLDER-FORK UPPER (Ref # 44039)	44039-1225	1
HOLDER-FRONT AXLE (Ref # 44063)	44063-1056	2
DAMPER-ASSY,FORK,LH (Ref # 44070)	44070-1173	1
DAMPER-ASSY,FORK,RH (Ref # 44070A)	44070-1174	1
HOLDER-HANDLE,LWR (Ref # 46012)	46012-1242	2
ROD,FORK (Ref # 46102)	46102-1303	2
ROD,FORK (Ref # 46102A)	46102-1307	2
VALVE-ASSY,FORK (Ref # 49116)	49116-1106	2
GUARD,FORK (Ref # 55020)	55020-1384	2
SCREW (Ref # 92009)	92009-1568	2
NUT,24MM (Ref # 92015)	92015-1057	1
NUT,FLANGED,6MM (Ref # 92015A)	92015-1078	8

1992 KX250 PARTS LIST

Front Fork

ITEM NAME	PART NUMBER	QUANTITY
NUT (Ref # 92015B)	92015-1805	2
NUT (Ref # 92015C)	92015-1806	2
NUT,LOCK,10MM (Ref # 92019)	92019-021	2
WASHER,10.2X28X2 (Ref # 92022)	92022-1088	2
WASHER (Ref # 92022A)	92022-1299	2
WASHER (Ref # 92022B)	92022-1737	4
WASHER,25X36X2.3 (Ref # 92022C)	92022-250	1
BUSHING (Ref # 92028)	92028-1581	2
RING-SNAP (Ref # 92033)	92033-1077	2
RING-SNAP (Ref # 92033A)	92033-1271	4
CLAMP (Ref # 92037)	92037-1627	1
SEAL-OIL (Ref # 92049)	92049-1373	2
RING-O,FORK (Ref # 92055)	92055-1062	2
RING-O,FORK,AIR TUBE (Ref # 92055A)	92055-1333	2
RING-O (Ref # 92055B)	92055-1441	2
RING-O (Ref # 92055C)	92055-1442	2
RING-O,FORK VALVE (Ref # 92055D)	92055-1513	2
DAMPER,HANDLE HOLDER (Ref # 92075)	92075-039	4
SEAL,FORK OUTER TUBE (Ref # 92093)	92093-1342	2
COLLAR,FORK (Ref # 92143)	92143-1374	2
BOLT,5X35 (Ref # 92150)	92150-1270	4
BOLT,6X14 (Ref # 92150A)	92150-1340	4
BOLT,FLANGED,8X40 (Ref # 92150B)	92150-1516	8
CLAMP (Ref # 92170)	92170-1088	1