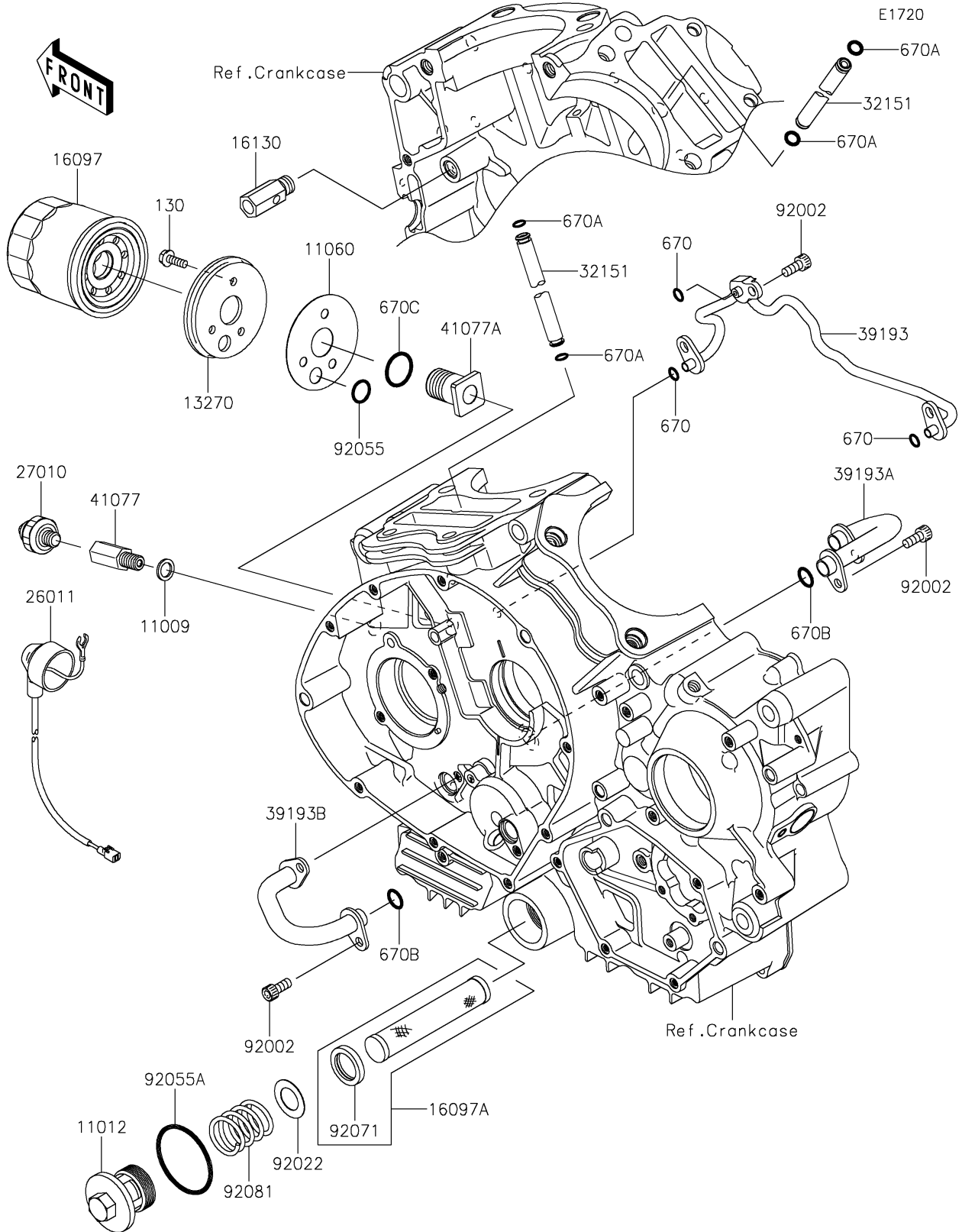


2017 Vulcan 900 Custom PARTS DIAGRAM

Oil Filter



2017 Vulcan 900 Custom PARTS LIST

Oil Filter

| ITEM NAME | PART NUMBER | QUANTITY |
|---------------------------------------|-------------|----------|
| GASKET,10X14.5X1.5 (Ref # 11009) | 11009-1105 | 1 |
| CAP,OIL FILTER (Ref # 11012) | 11012-1461 | 1 |
| GASKET,OIL FILTER (Ref # 11060) | 11060-1092 | 1 |
| BOLT-FLANGED,5X14 (Ref # 130) | 130CA0514 | 3 |
| PLATE,OIL FILTER (Ref # 13270) | 13270-1170 | 1 |
| FILTER-ASSY-OIL (Ref # 16097) | 16097-0008 | 1 |
| FILTER-ASSY-OIL (Ref # 16097A) | 16097-1058 | 1 |
| VALVE-ASSY-RELIEF (Ref # 16130) | 16130-0002 | 1 |
| WIRE-LEAD (Ref # 26011) | 26011-0109 | 1 |
| SWITCH,OIL PRESSURE (Ref # 27010) | 27010-1313 | 1 |
| PIPE (Ref # 32151) | 32151-1895 | 2 |
| PIPE-OIL (Ref # 39193) | 39193-0035 | 1 |
| PIPE-OIL (Ref # 39193A) | 39193-0036 | 1 |
| PIPE-OIL (Ref # 39193B) | 39193-0037 | 1 |
| ADAPTER,PRESSURE SWITCH (Ref # 41077) | 41077-0017 | 1 |
| ADAPTER (Ref # 41077A) | 41077-0024 | 1 |
| O RING,6MM (Ref # 670) | 670D1506 | 3 |
| O RING,7MM (Ref # 670A) | 670D1507 | 4 |
| O RING,12MM (Ref # 670B) | 670D2012 | 4 |
| O RING,20MM (Ref # 670C) | 670D2020 | 1 |
| BOLT,SOCKET,6X14 (Ref # 92002) | 92002-1592 | 7 |
| WASHER,16.5X28X0.5 (Ref # 92022) | 92022-169 | 1 |
| RING-O,13.0X1.9 (Ref # 92055) | 92055-1011 | 1 |
| RING-O,35.2X2.4 (Ref # 92055A) | 92055-1358 | 1 |
| GROMMET,OIL STRAINER (Ref # 92071) | 92071-100 | 1 |
| SPRING,OIL FILTER (Ref # 92081) | 92081-1862 | 1 |