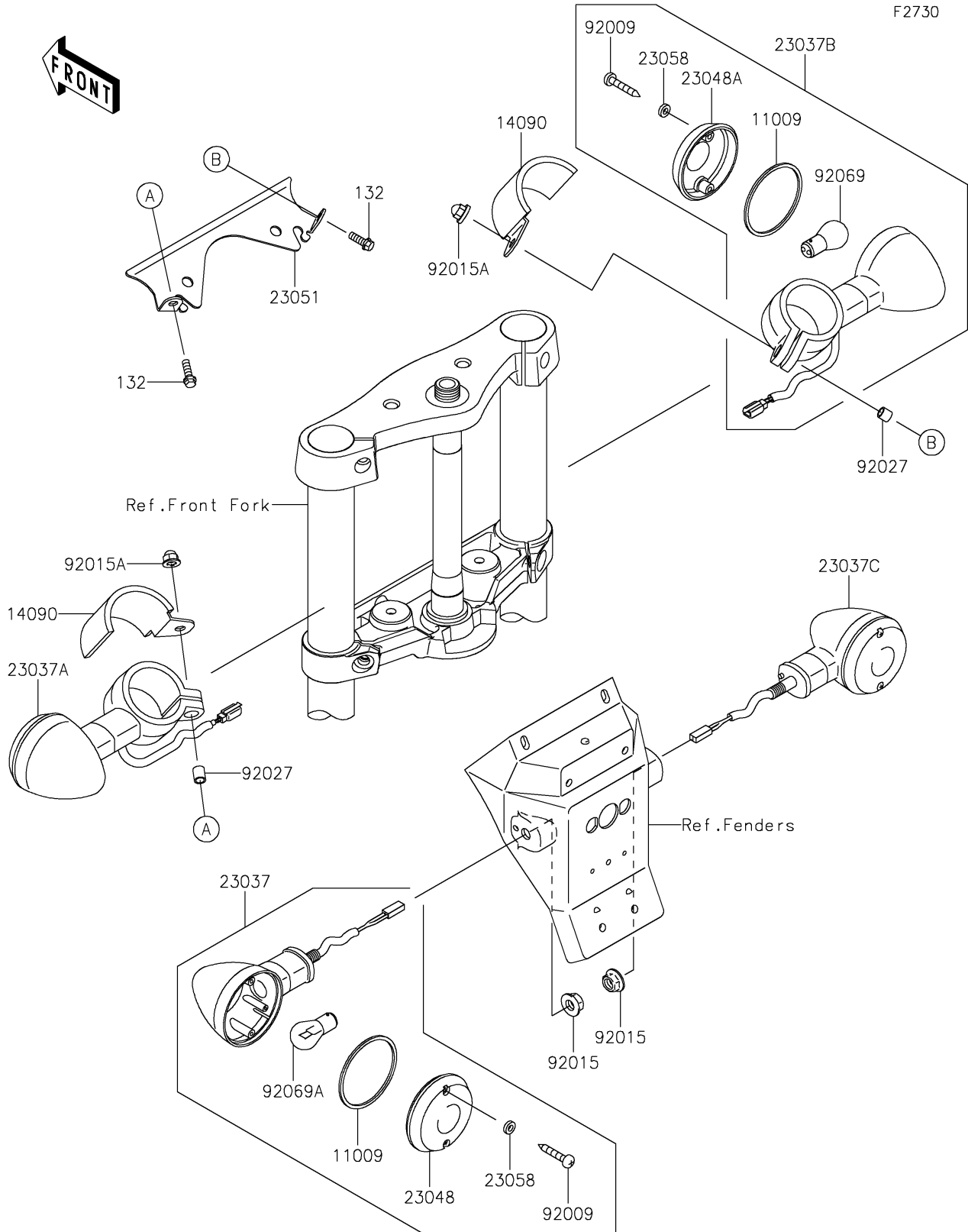


# 2018 VULCAN® 900 CUSTOM PARTS DIAGRAM

## Turn Signals



## 2018 VULCAN® 900 CUSTOM PARTS LIST

### Turn Signals

| ITEM NAME                             | PART NUMBER | QUANTITY |
|---------------------------------------|-------------|----------|
| GASKET,SIGNAL LAMP (Ref # 11009)      | 11009-1413  | 4        |
| BOLT-FLANGED-SMALL,6X20 (Ref # 132)   | 132E0620    | 2        |
| COVER,SIGNAL LAMP (Ref # 14090)       | 14090-1578  | 2        |
| LAMP-ASSY-SIGNAL,RR,LH (Ref # 23037)  | 23037-0095  | 1        |
| LAMP-ASSY-SIGNAL,FR,LH (Ref # 23037A) | 23037-0096  | 1        |
| LAMP-ASSY-SIGNAL,FR,RH (Ref # 23037B) | 23037-0097  | 1        |
| LAMP-ASSY-SIGNAL,RR,RH (Ref # 23037C) | 23037-0104  | 1        |
| LENS-SIGNAL LAMP,RR (Ref # 23048)     | 23048-1065  | 2        |
| LENS-SIGNAL LAMP,FR (Ref # 23048A)    | 23048-1066  | 2        |
| BRACKET-SIGNAL LAMP (Ref # 23051)     | 23051-0030  | 1        |
| WASHER,PLAIN,4MM (Ref # 23058)        | 23058-002   | 8        |
| SCREW,TAPPING,4X25 (Ref # 92009)      | 92009-1637  | 8        |
| NUT,10MM (Ref # 92015)                | 92015-1356  | 2        |
| NUT,CAP,6MM (Ref # 92015A)            | 92015-1385  | 2        |
| COLLAR,6.8X10X12 (Ref # 92027)        | 92027-162   | 2        |
| BULB,12V 21/5W (Ref # 92069)          | 92069-063   | 2        |
| BULB,12V 21W (Ref # 92069A)           |             | 2        |