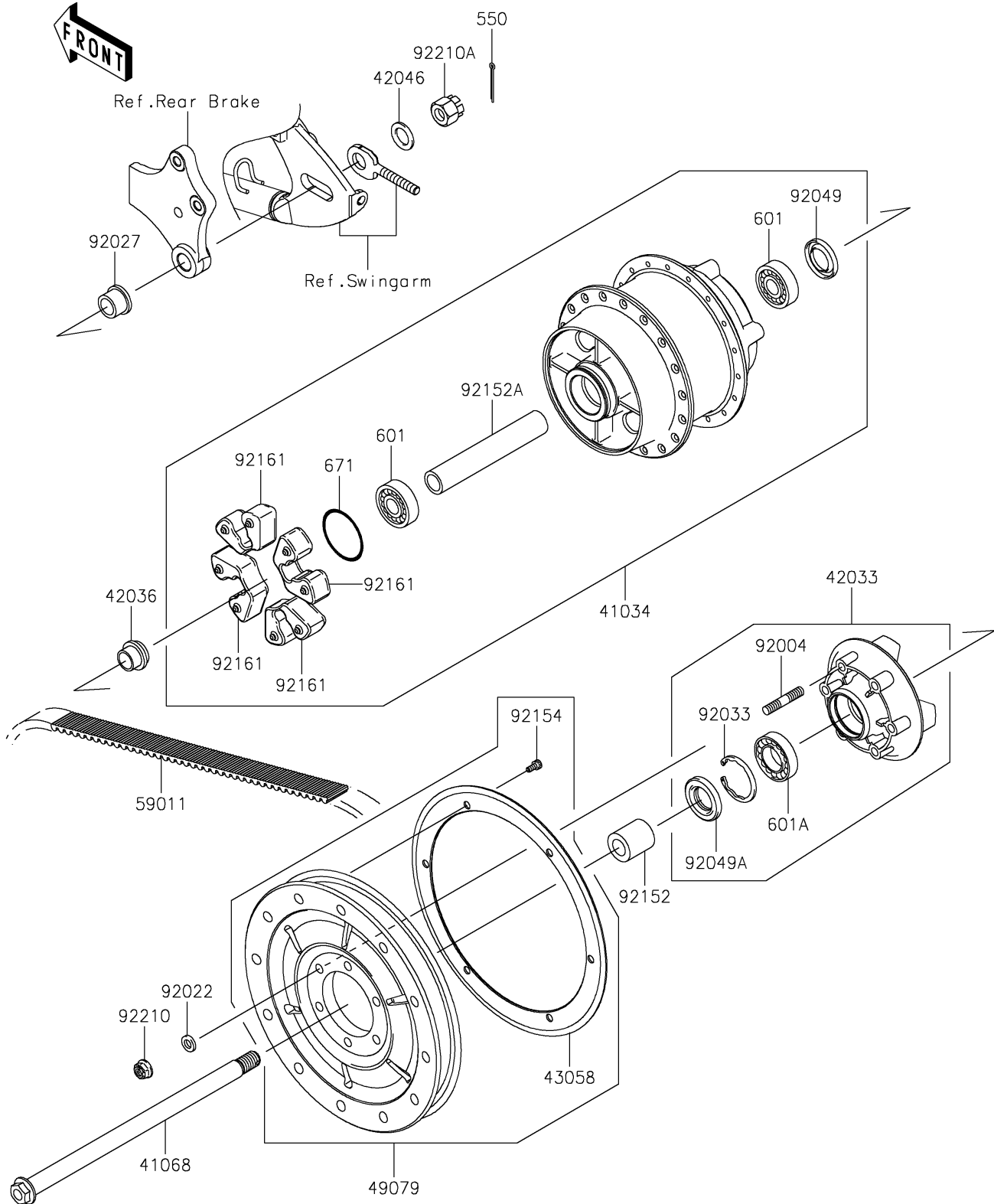


# 2019 VULCAN® 900 CLASSIC LT PARTS DIAGRAM

Rear Wheel/Chain

F2240



## 2019 VULCAN® 900 CLASSIC LT PARTS LIST

### Rear Wheel/Chain

ITEM NAME	PART NUMBER	QUANTITY
DRUM-ASSY,REAR BRAKE (Ref # 41034)	41034-0047	1
AXLE,RR,20X362.5 (Ref # 41068)	41068-0598	1
COUPLING-ASSY,RR HUB (Ref # 42033)	42033-0037	1
SLEEVE,RR HUB,L=23 (Ref # 42036)	42036-1251	1
WASHER,21X33X2.6 (Ref # 42046)	42046-003	1
RING,REAR PULLEY (Ref # 43058)	43058-0011	1
PULLEY-BELT (Ref # 49079)	49079-0011	1
PIN-COTTER,4.0X40 (Ref # 550)	550AA4040	1
BELT,DRIVE,153T (Ref # 59011)	59011-0021	1
BEARING-BALL,6204UUC3 (Ref # 601)	601B6204UU	2
BEARING-BALL (Ref # 601A)	601B6205UU	1
O RING,60MM (Ref # 671)	671B2560	1
STUD,10X35 (Ref # 92004)	92004-0016	6
WASHER,10.5X19X3.2 (Ref # 92022)	92022-1820	6
COLLAR,RR AXLE,L=21.5 (Ref # 92027)	92027-1902	1
RING-SNAP,52MM (Ref # 92033)	92033-1043	1
SEAL-OIL,BJN28475 (Ref # 92049)	92049-1056	1
SEAL-OIL (Ref # 92049A)	92049-1287	1
COLLAR,RR AXLE,LH,L=38.6 (Ref # 92152)	92152-0350	1
COLLAR,REAR BRAKE DRUM,L=166.4 (Ref # 92152A)	92152-0351	1
BOLT,FLANGED,6X12 (Ref # 92154)	92154-0346	6
DAMPER,SHOCK,RR HUB (Ref # 92161)	92161-0466	4
NUT,LOCK,FLANGED,10MM (Ref # 92210)	92210-0276	6
NUT,CASTLE,18MM (Ref # 92210A)	92210-1134	1