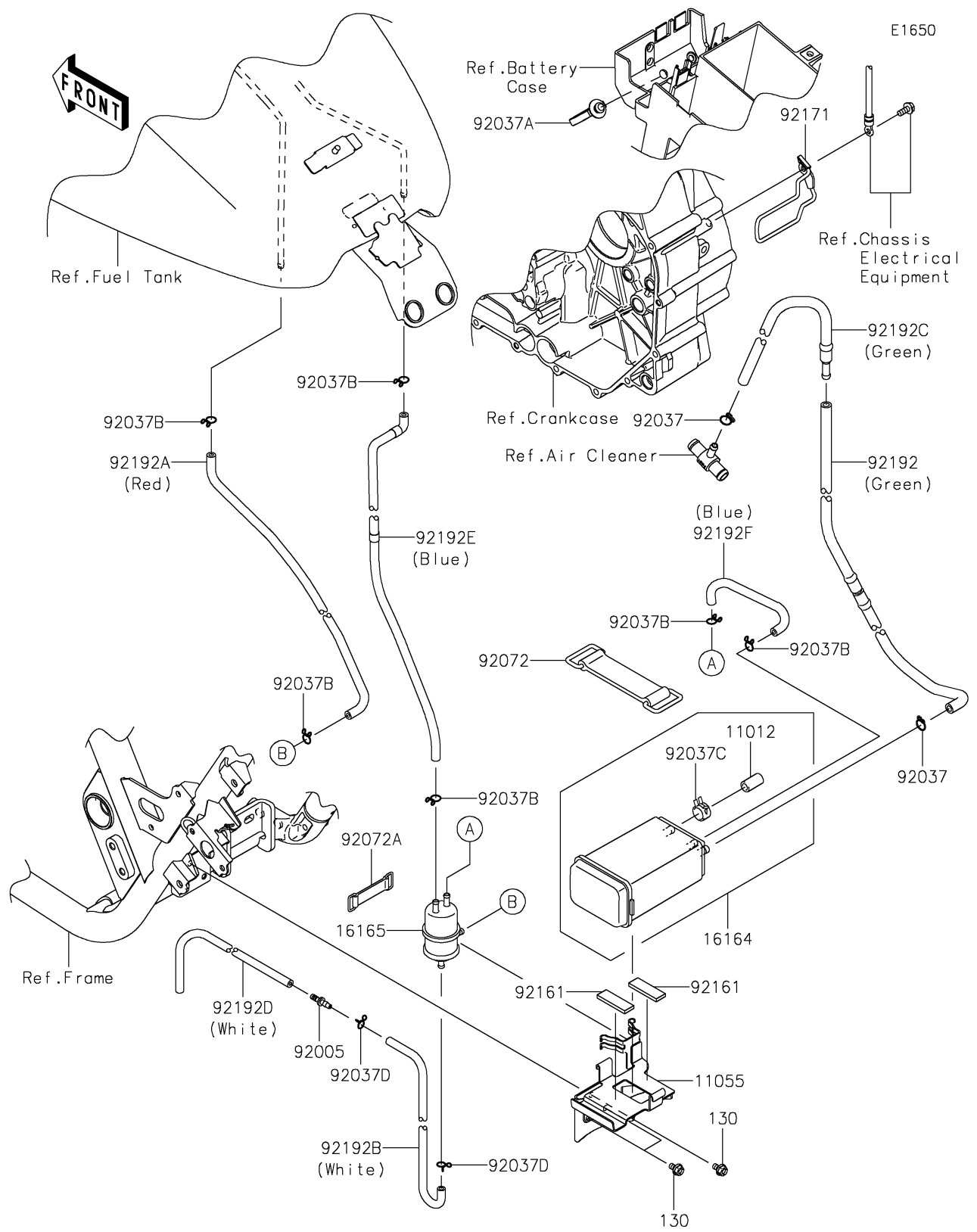


2020 VULCAN® 1700 VAQUERO® ABS PARTS DIAGRAM

Fuel Evaporative System(CA)



2020 VULCAN® 1700 VAQUERO® ABS PARTS LIST

Fuel Evaporative System(CA)

| ITEM NAME | PART NUMBER | QUANTITY |
|---------------------------------------------|-------------|----------|
| CAP,CANISTER (Ref # 11012) | 11012-1388 | 1 |
| BRACKET (Ref # 11055) | 11055-1653 | 1 |
| CANISTER (Ref # 16164) | 16164-0017 | 1 |
| SEPARATOR (Ref # 16165) | 16165-1001 | 1 |
| FITTING (Ref # 92005) | 92005-1206 | 1 |
| CLAMP,HOSE (Ref # 92037) | 92037-1104 | 2 |
| CLAMP,CABLE (Ref # 92037A) | 92037-1459 | 1 |
| CLAMP,TUBE (Ref # 92037B) | 92037-147 | 6 |
| CLAMP,CANISTER (Ref # 92037C) | 92037-1512 | 1 |
| CLAMP (Ref # 92037D) | 92037-1712 | 2 |
| BAND (Ref # 92072) | 92072-1384 | 1 |
| BAND,L=50 (Ref # 92072A) | 92072-1419 | 1 |
| DAMPER (Ref # 92161) | 92161-0124 | 2 |
| CLAMP (Ref # 92171) | 92171-1798 | 1 |
| TUBE,CANISTER-1ST FTG,GREEN (Ref # 92192) | 92192-0657 | 1 |
| TUBE,SEPARATOR-TANK,RED (Ref # 92192A) | 92192-0660 | 1 |
| TUBE,FITTING-SEP.WHITE (Ref # 92192B) | 92192-0692 | 1 |
| TUBE,1ST FTG-2ND FTG,GREEN (Ref # 92192C) | 92192-0760 | 1 |
| TUBE,THROBO-FITTING,WHITE (Ref # 92192D) | 92192-0761 | 1 |
| TUBE,TANK-SEPARATOR,BLUE (Ref # 92192E) | 92192-0799 | 1 |
| BOLT-FLANGED,6X10 (Ref # 130) | 130BB0610 | 3 |
| TUBE,CANISTER-SEPARATOR,BLUE (Ref # 92192F) | 92192-0824 | 1 |