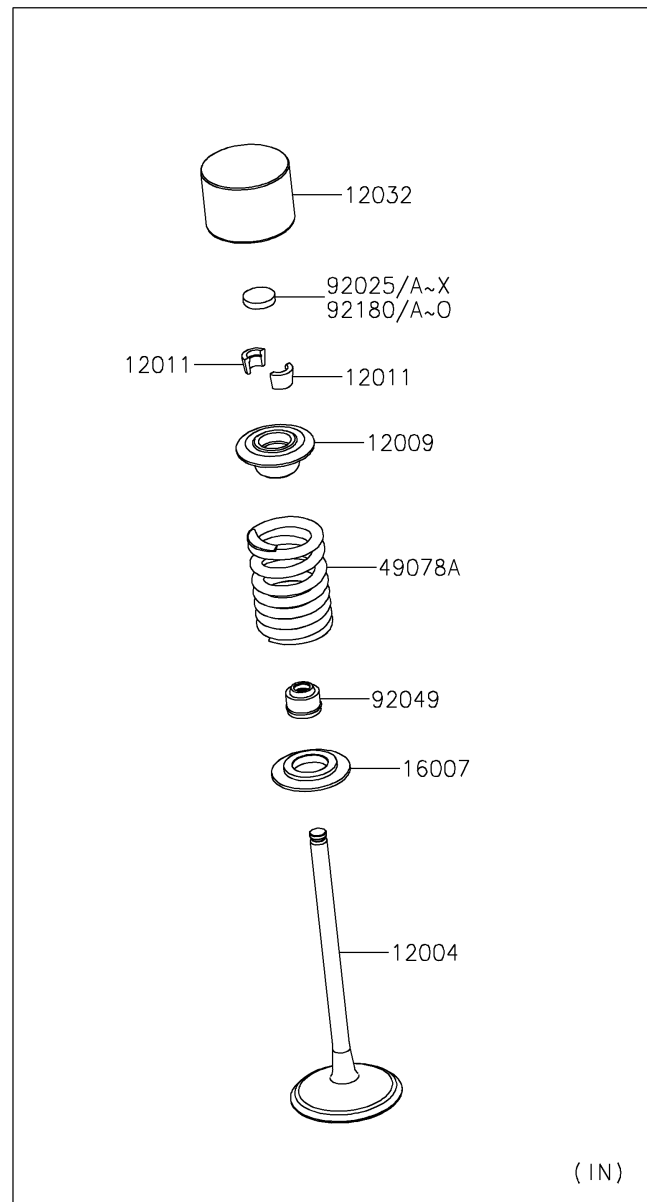
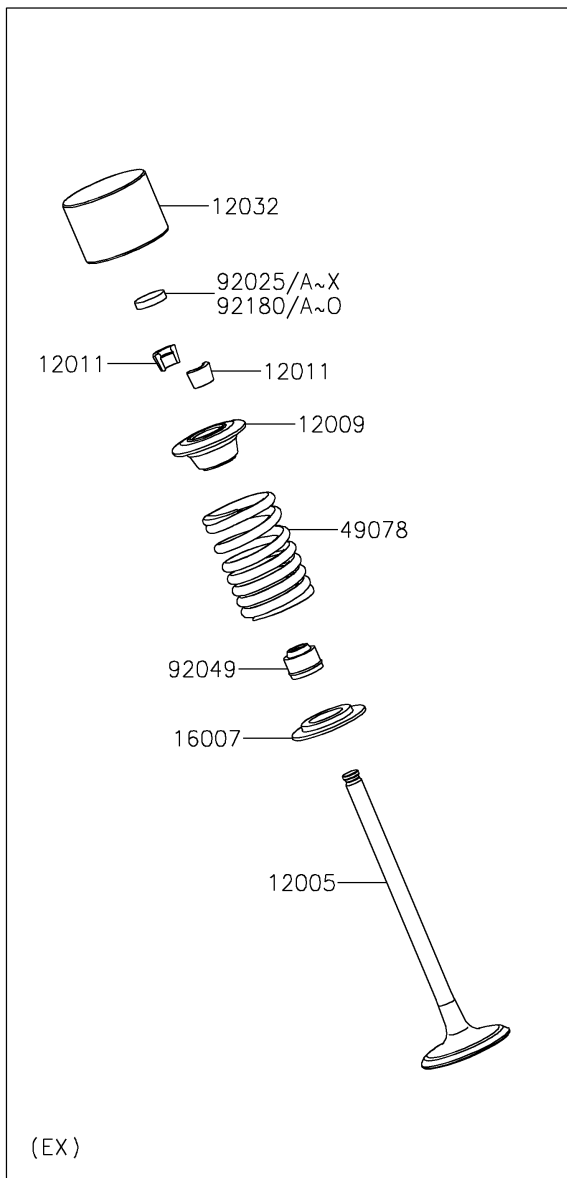


2019 NINJA® ZX™-14R ABS PARTS DIAGRAM

Valve(s)

E1210



2019 NINJA® ZX™-14R ABS PARTS LIST

Valve(s)

| ITEM NAME | PART NUMBER | QUANTITY |
|---|-------------|----------|
| VALVE-INTAKE (Ref # 12004) | 12004-0715 | 8 |
| VALVE-EXHAUST (Ref # 12005) | 12005-0037 | 8 |
| RETAINER-VALVE SPRING (Ref # 12009) | 12009-0009 | 16 |
| COLLET (Ref # 12011) | 12011-1051 | 32 |
| TAPPET,D26.5 (Ref # 12032) | 12032-0013 | 16 |
| SEAT-SPRING (Ref # 16007) | 16007-0023 | 16 |
| SPRING-ENGINE VALVE,EXHAUST (Ref # 49078) | 49078-0712 | 8 |
| SPRING-ENGINE VALVE,INTAKE (Ref # 49078A) | 49078-0713 | 8 |
| SHIM,T=2.00 (Ref # 92025) | 92025-1870 | 16 |
| SHIM,T=2.05 (Ref # 92025A) | 92025-1871 | AR |
| SHIM,T=2.10 (Ref # 92025B) | 92025-1872 | AR |
| SHIM,T=2.15 (Ref # 92025C) | 92025-1873 | AR |
| SHIM,T=2.20 (Ref # 92025D) | 92025-1874 | AR |
| SHIM,T=2.25 (Ref # 92025E) | 92025-1875 | AR |
| SHIM,T=2.30 (Ref # 92025F) | 92025-1876 | AR |
| SHIM,T=2.35 (Ref # 92025G) | 92025-1877 | AR |
| SHIM,T=2.40 (Ref # 92025H) | 92025-1878 | AR |
| SHIM,T=2.45 (Ref # 92025I) | 92025-1879 | AR |
| SHIM,T=2.50 (Ref # 92025J) | 92025-1880 | AR |
| SHIM,T=2.55 (Ref # 92025K) | 92025-1881 | AR |
| SHIM,T=2.60 (Ref # 92025L) | 92025-1882 | AR |
| SHIM,T=2.65 (Ref # 92025M) | 92025-1883 | AR |
| SHIM,T=2.70 (Ref # 92025N) | 92025-1884 | AR |
| SHIM,T=2.75 (Ref # 92025O) | 92025-1885 | AR |
| SHIM,T=2.80 (Ref # 92025P) | 92025-1886 | AR |
| SHIM,T=2.85 (Ref # 92025Q) | 92025-1887 | AR |
| SHIM,T=2.90 (Ref # 92025R) | 92025-1888 | AR |
| SHIM,T=2.95 (Ref # 92025S) | 92025-1889 | AR |
| SHIM,T=3.00 (Ref # 92025T) | 92025-1890 | AR |

2019 NINJA® ZX™ -14R ABS PARTS LIST

Valve(s)

| ITEM NAME | PART NUMBER | QUANTITY |
|-------------------------------------|-------------|----------|
| SHIM,T=2.425 (Ref # 92025U) | 92025-1982 | AR |
| SHIM,T=2.475 (Ref # 92025V) | 92025-1983 | AR |
| SHIM,T=2.525 (Ref # 92025W) | 92025-1984 | AR |
| SHIM,T=2.575 (Ref # 92025X) | 92025-1985 | AR |
| SEAL-OIL,RVCI 5X8.7X8 (Ref # 92049) | 92049-1509 | 16 |
| SHIM,T=2.025 (Ref # 92180) | 92180-0209 | AR |
| SHIM,T=2.075 (Ref # 92180A) | 92180-0210 | AR |
| SHIM,T=2.125 (Ref # 92180B) | 92180-0211 | AR |
| SHIM,T=2.175 (Ref # 92180C) | 92180-0212 | AR |
| SHIM,T=2.225 (Ref # 92180D) | 92180-0213 | AR |
| SHIM,T=2.275 (Ref # 92180E) | 92180-0214 | AR |
| SHIM,T=2.325 (Ref # 92180F) | 92180-0215 | AR |
| SHIM,T=2.825 (Ref # 92180G) | 92180-0216 | AR |
| SHIM,T=2.875 (Ref # 92180H) | 92180-0217 | AR |
| SHIM,T=2.925 (Ref # 92180I) | 92180-0218 | AR |
| SHIM,T=2.975 (Ref # 92180J) | 92180-0219 | AR |
| SHIM,T=2.375 (Ref # 92180K) | 92180-1058 | AR |
| SHIM,T=2.625 (Ref # 92180L) | 92180-1059 | AR |
| SHIM,T=2.675 (Ref # 92180M) | 92180-1194 | AR |
| SHIM,T=2.725 (Ref # 92180N) | 92180-1195 | AR |
| SHIM,T=2.775 (Ref # 92180O) | 92180-1196 | AR |