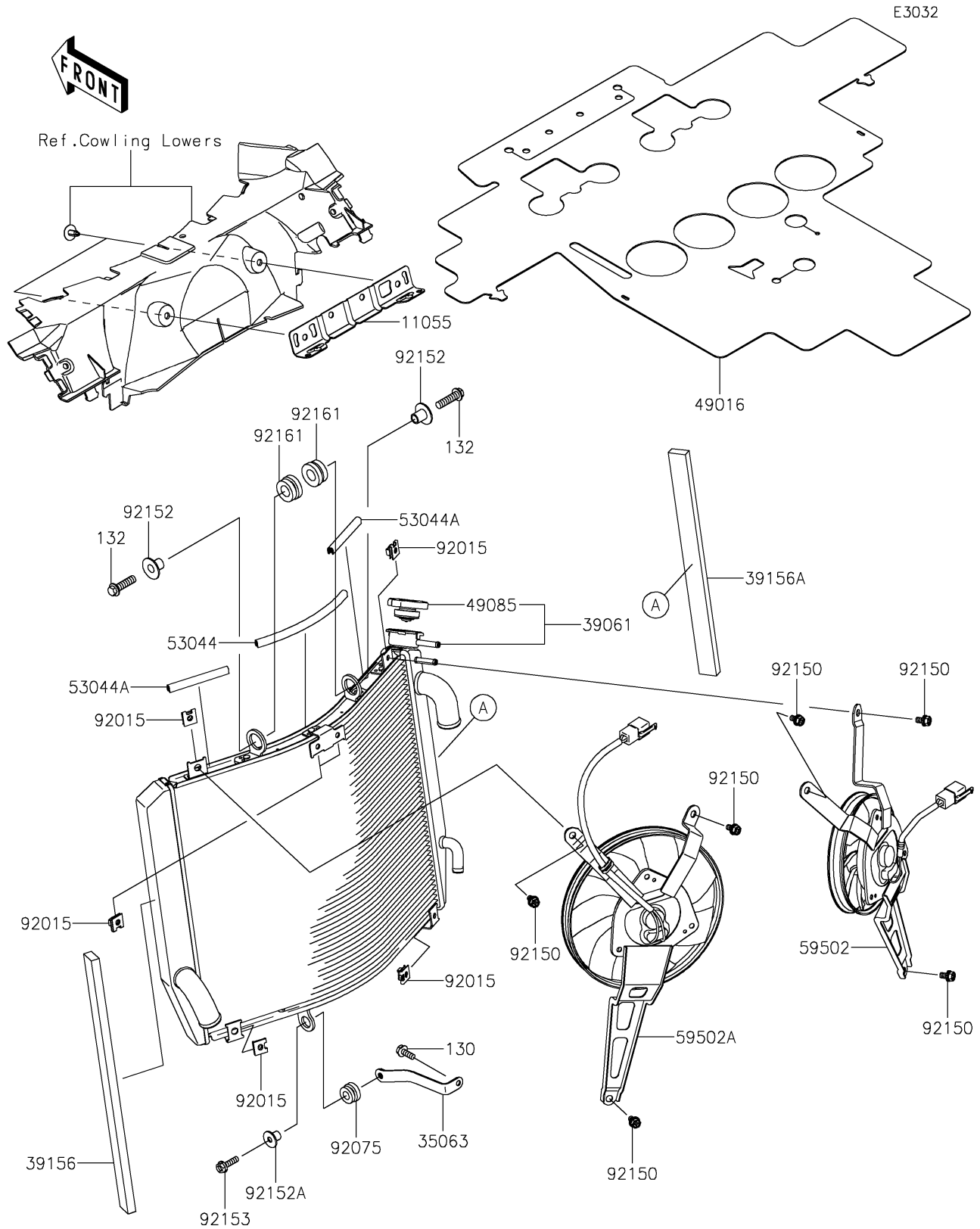


2018 NINJA® ZX™ -14R ABS SE PARTS DIAGRAM

Radiator



2018 NINJA® ZX™ -14R ABS SE PARTS LIST

Radiator

ITEM NAME	PART NUMBER	QUANTITY
BRACKET (Ref # 11055)	11055-1484	1
BOLT-FLANGED,6X16 (Ref # 130)	130CC0616	1
BOLT-FLANGED-SMALL,8X30 (Ref # 132)	132BC0830	2
STAY (Ref # 35063)	35063-0661	1
RADIATOR-ASSY (Ref # 39061)	39061-0107	1
PAD,RAD. LH (Ref # 39156)	39156-0873	1
PAD,RAD. RH (Ref # 39156A)	39156-0874	1
COVER-SEAL (Ref # 49016)	49016-0589	1
CAP-ASSY-PRESSURE (Ref # 49085)	49085-1066	1
TRIM (Ref # 53044)	53044-0016	1
TRIM (Ref # 53044A)	53044-0018	2
FAN-ASSY,RH (Ref # 59502)	59502-0572	1
FAN-ASSY,LH (Ref # 59502A)	59502-0579	1
NUT (Ref # 92015)	92015-1487	6
DAMPER,RUBBER (Ref # 92075)	92075-1123	1
BOLT,6X12 (Ref # 92150)	92150-1186	6
COLLAR (Ref # 92152)	92152-0439	2
COLLAR (Ref # 92152A)	92152-0440	1
BOLT,FLANGED,6X22 (Ref # 92153)	92153-1598	1
DAMPER (Ref # 92161)	92161-0304	2