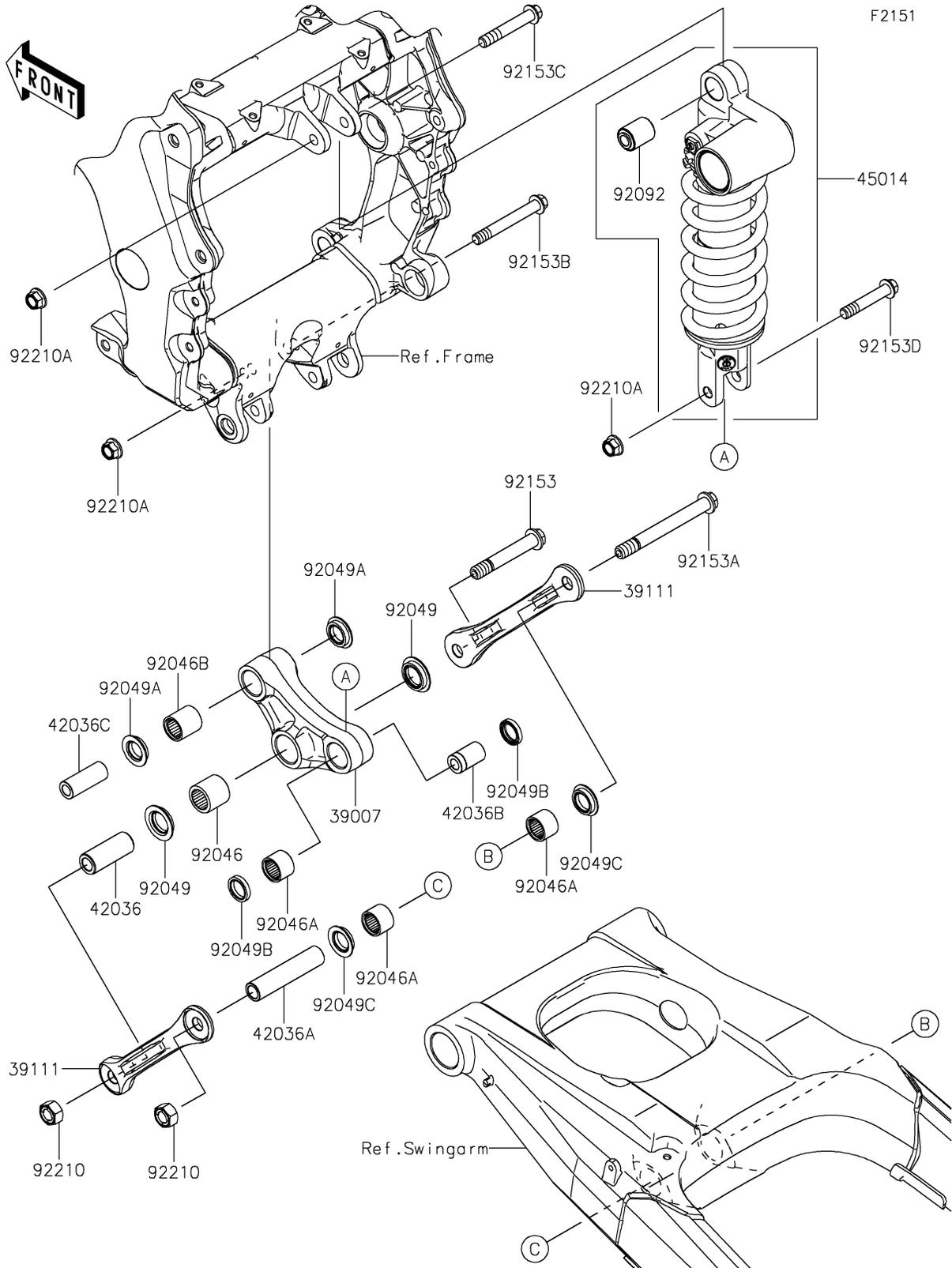


# 2018 NINJA® ZX™ -14R ABS SE PARTS DIAGRAM

Suspension/Shock Absorber



## 2018 NINJA® ZX™ -14R ABS SE PARTS LIST

### Suspension/Shock Absorber

ITEM NAME	PART NUMBER	QUANTITY
ARM-SUSP,UNI TRAK (Ref # 39007)	39007-0061	1
ROD-TIE,SUSPENSION (Ref # 39111)	39111-0025	2
SLEEVE,12.1X20X50 (Ref # 42036)	42036-1111	1
SLEEVE,12.1X18X82 (Ref # 42036A)	42036-1231	1
SLEEVE,10.1X18X30 (Ref # 42036B)	42036-1258	1
SLEEVE,10.1X17X44.5 (Ref # 42036C)	42036-1342	1
SHOCKABSORBER,SILVER+BLK (Ref # 45014)	45014-0518-23I	1
BEARING-NEEDLE,7E-HVS20X27X25 (Ref # 92046)	92046-1236	1
BEARING-NEEDLE,SFYZM182417 (Ref # 92046A)	92046-1272	3
BEARING-NEEDLE,SFYZM172425 (Ref # 92046B)	92046-1273	1
SEAL-OIL,ARM (Ref # 92049)	92049-1109	2
SEAL-OIL,MHA17245.7F (Ref # 92049A)	92049-1223	2
SEAL-OIL,MHA18244 (Ref # 92049B)	92049-1225	2
SEAL-OIL,KCR MF018N1 (Ref # 92049C)	92049-1493	2
BUSHING-RUBBER (Ref # 92092)	92092-0003	1
BOLT,FLANGED,12X75 (Ref # 92153)	92153-1367	1
BOLT,FLANGED,12X110 (Ref # 92153A)	92153-1368	1
BOLT,FLANGED,10X77 (Ref # 92153B)	92153-1613	1
BOLT,FLANGED,10X62 (Ref # 92153C)	92153-1614	1
BOLT,FLANGED,10X55 (Ref # 92153D)	92153-1615	1
NUT,LOCK,12MM (Ref # 92210)	92210-0274	2
NUT,LOCK,FLANGED,10MM (Ref # 92210A)	92210-1139	3