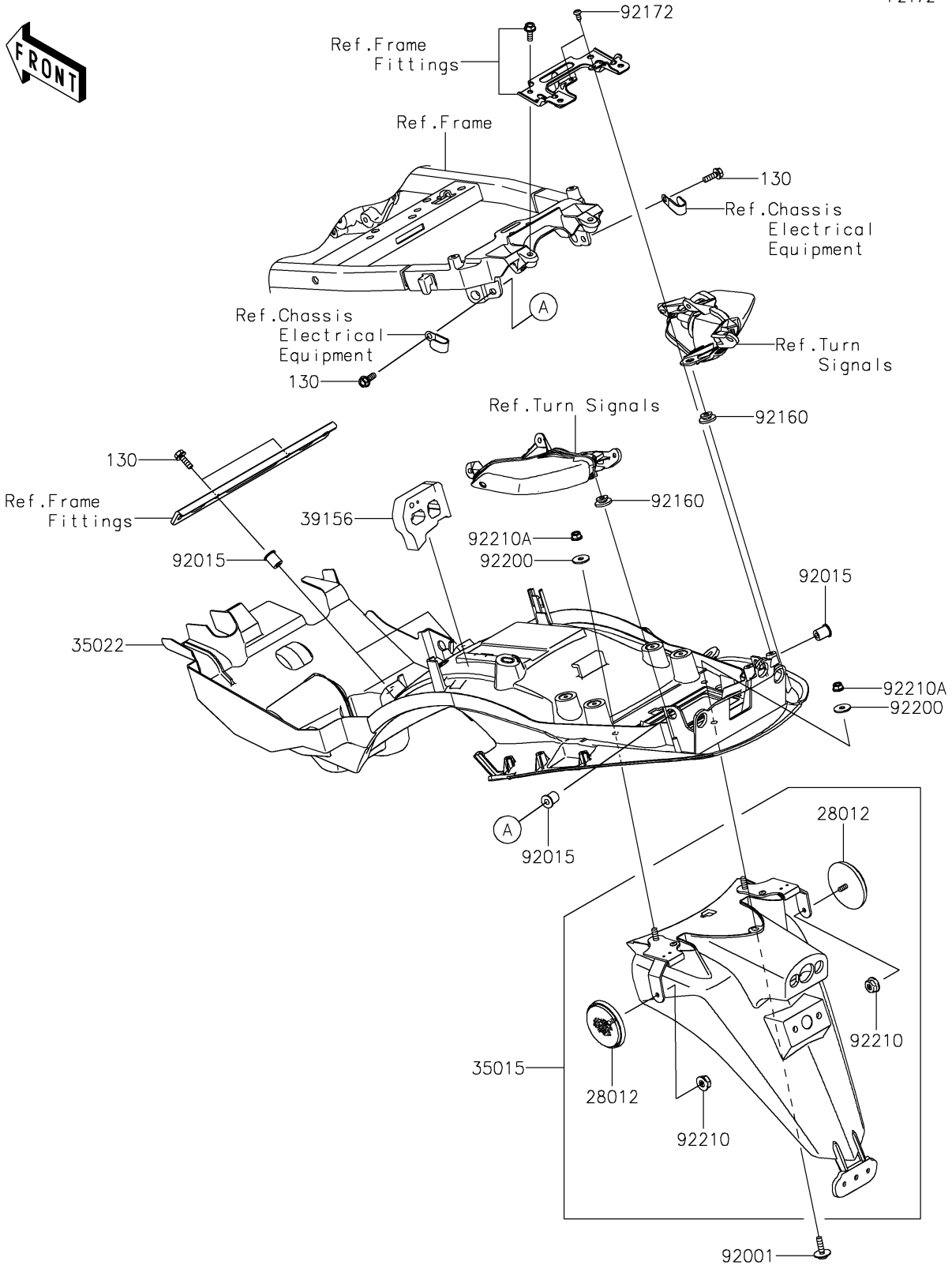


2019 NINJA® ZX™-14R ABS PARTS DIAGRAM

Rear Fender(s)

F2172



2019 NINJA® ZX™-14R ABS PARTS LIST

Rear Fender(s)

ITEM NAME	PART NUMBER	QUANTITY
BOLT-FLANGED,6X18 (Ref # 130)	130BA0618	4
REFLECTOR-REFLEX (Ref # 28012)	28012-0002	2
FLAP-COMP,RR (Ref # 35015)	35015-0052	1
FENDER-COMP-REAR (Ref # 35022)	35022-0096	1
PAD (Ref # 39156)	39156-1957	1
BOLT,UPSET-WP,6X22 (Ref # 92001)	92001-1774	1
NUT (Ref # 92015)	92015-1700	4
DAMPER (Ref # 92160)	92160-1613	2
SCREW,TAPPING,5X12 (Ref # 92172)	92172-0239	2
WASHER,6.5X20X1.6 (Ref # 92200)	92200-0283	3
NUT,FLANGED,5MM (Ref # 92210)	92210-0007	2
NUT,LOCK,FLANGED,6MM (Ref # 92210A)	92210-0303	3