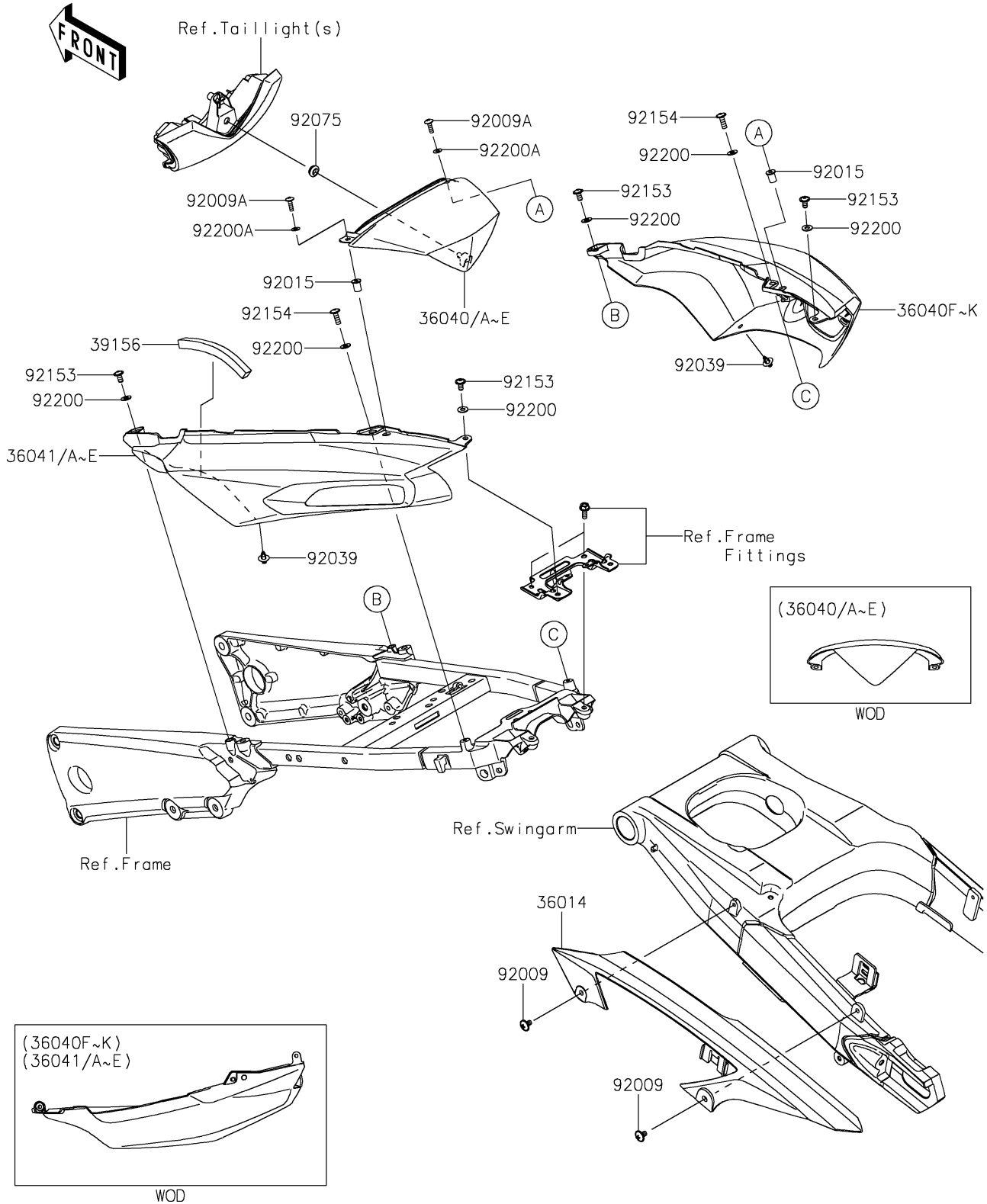


2018 NINJA® ZX™ -14R ABS SE PARTS DIAGRAM

Side Covers/Chain Cover

F2610



2018 NINJA® ZX™ -14R ABS SE PARTS LIST

Side Covers/Chain Cover

ITEM NAME	PART NUMBER	QUANTITY
CASE-CHAIN (Ref # 36014)	36014-0030	1
COVER-TAIL,CNT,P.S.GRAY (Ref # 36040A)	36040-0058-36S	1
COVER-TAIL,CNT,M.C.GRAY (Ref # 36040C)	36040-0058-51A	1
COVER-TAIL,RH,P.S.GRAY (Ref # 36040G)	36040-0137-36S	1
COVER-TAIL,RH,M.C.GRAY (Ref # 36040I)	36040-0137-51A	1
COVER-TAIL,LH,P.S.GRAY (Ref # 36041A)	36041-0027-36S	1
COVER-TAIL,LH,M.C.GRAY (Ref # 36041C)	36041-0027-51A	1
PAD,12X124X12 (Ref # 39156)	39156-1958	1
SCREW,6X10 (Ref # 92009)	92009-1661	2
SCREW,5X16 (Ref # 92009A)	92009-1909	2
NUT,WELL,5MM (Ref # 92015)	92015-1757	2
RIVET (Ref # 92039)	92039-1289	2
DAMPER,6X16X7 (Ref # 92075)	92075-1011	1
BOLT,SOCKET,6X12 (Ref # 92153)	92153-1617	4
BOLT,SOCKET,6X18 (Ref # 92154)	92154-0139	2
WASHER,6.5X14X1 (Ref # 92200)	92200-1388	6
WASHER,NYLON,5.3X11.5X0.5 (Ref # 92200A)	92200-1480	2