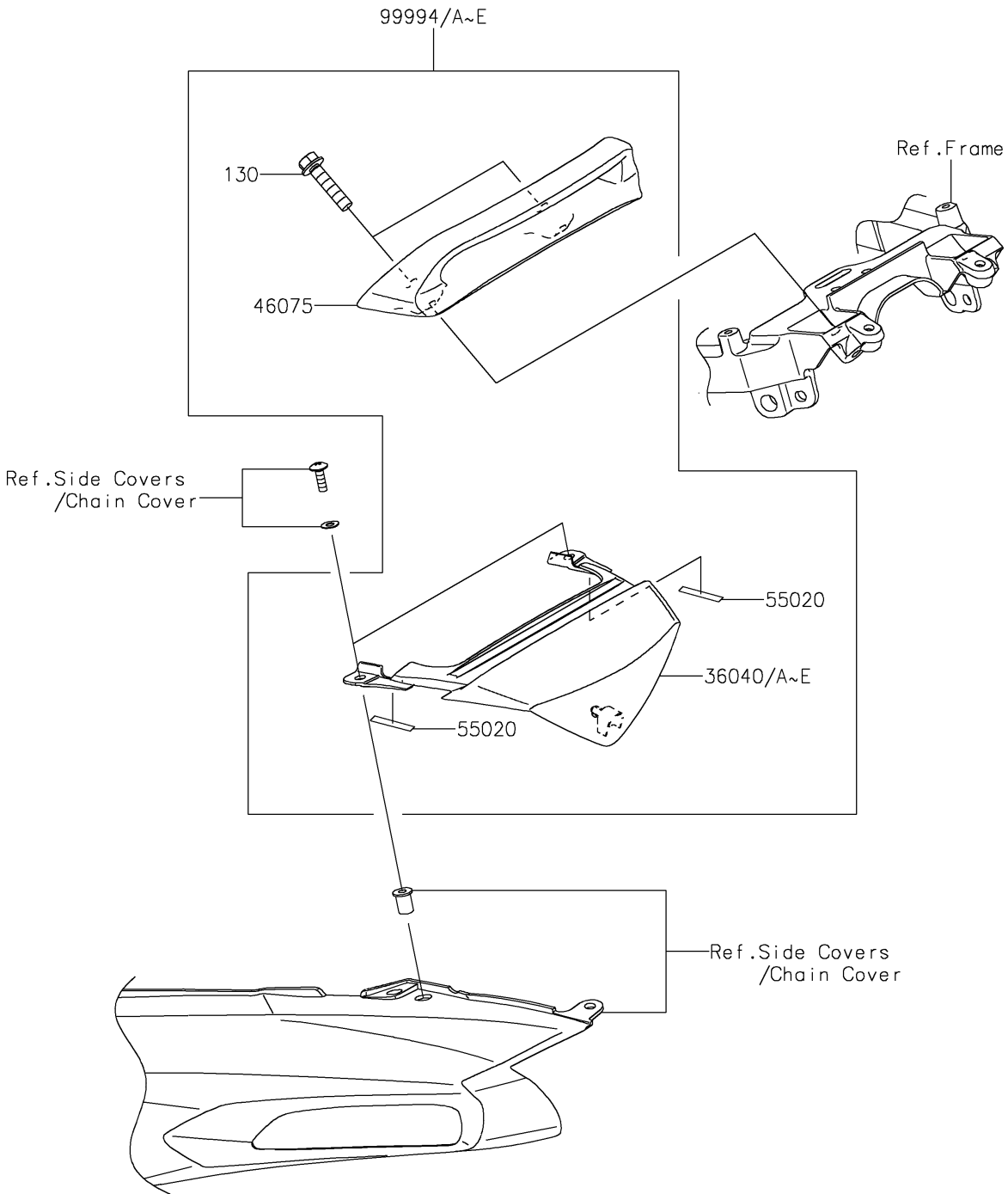


2018 NINJA® ZX™ -14R ABS SE PARTS DIAGRAM

Accessory(Tail Grip)

F2910



2018 NINJA® ZX™ -14R ABS SE PARTS LIST

Accessory(Tail Grip)

ITEM NAME	PART NUMBER	QUANTITY
BOLT-FLANGED,8X35 (Ref # 130)	130BA0835	2
COVER-TAIL,CNT,P.S.GRAY (Ref # 36040A)	36040-0059-36S	1
COVER-TAIL,CNT,M.C.GRAY (Ref # 36040C)	36040-0059-51A	1
GRIP,TAIL,F.BLACK (Ref # 46075)	46075-1104-21	1
GUARD,TAIL COVER (Ref # 55020)	55020-0277	2
KIT,TAIL GRIP,P.S.GRAY (Ref # 99994A)	99994-0341-36S	1
KIT,TAIL GRIP,M.C.GRAY (Ref # 99994C)	99994-0341-51A	1