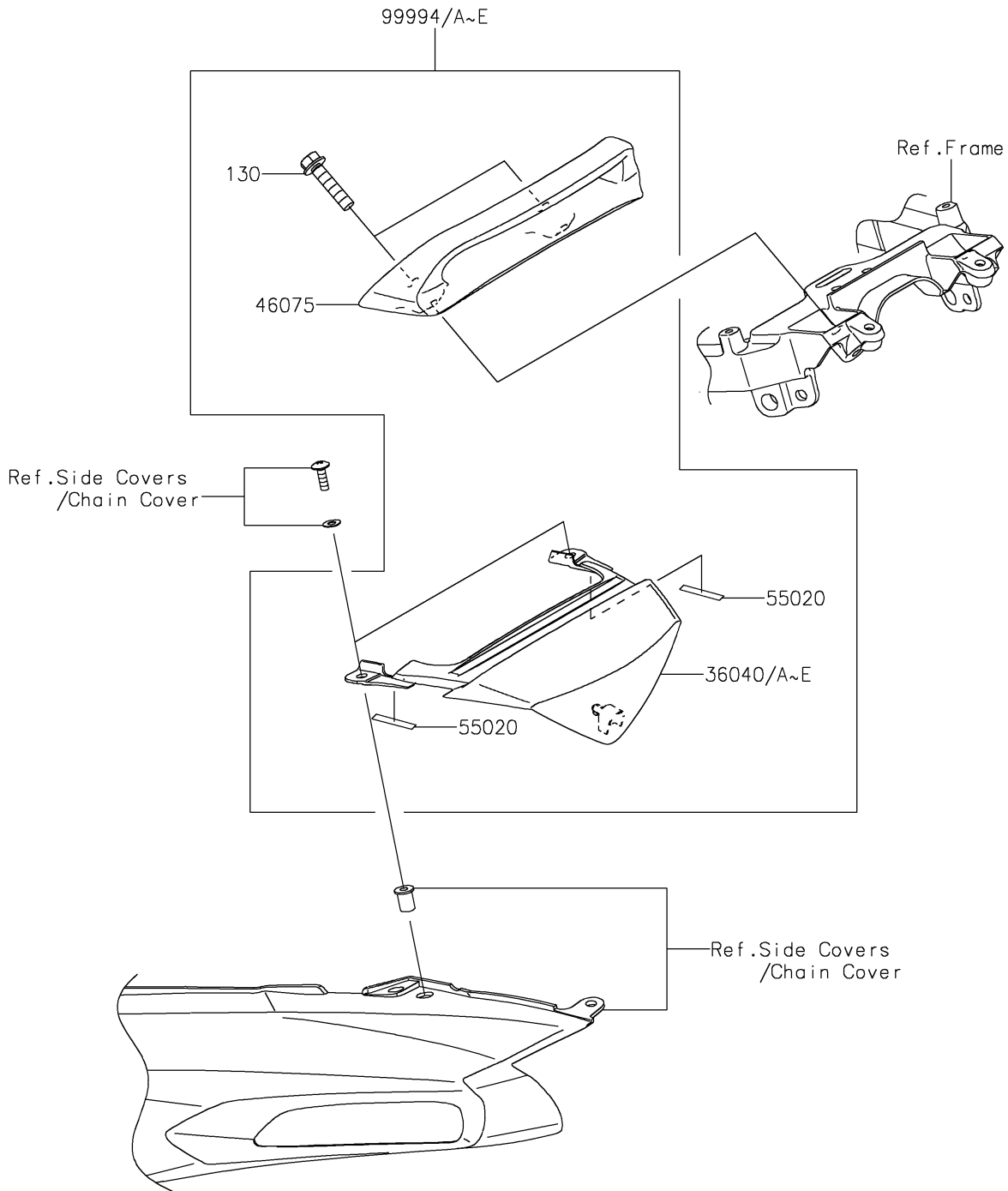


# 2020 NINJA® ZX™ -14R ABS PARTS DIAGRAM

Accessory(Tail Grip)

F2910



## 2020 NINJA® ZX™ -14R ABS PARTS LIST

Accessory(Tail Grip)

ITEM NAME	PART NUMBER	QUANTITY
BOLT-FLANGED,8X35 (Ref # 130)	130BA0835	2
COVER-TAIL,CNT,M.D.BLACK (Ref # 36040)	36040-0059-17K	1
GRIP,TAIL,F.BLACK (Ref # 46075)	46075-1104-21	1
GUARD,TAIL COVER (Ref # 55020)	55020-0277	2
KIT,TAIL GRIP,M.D.BLACK (Ref # 99994)	99994-0341-17K	1