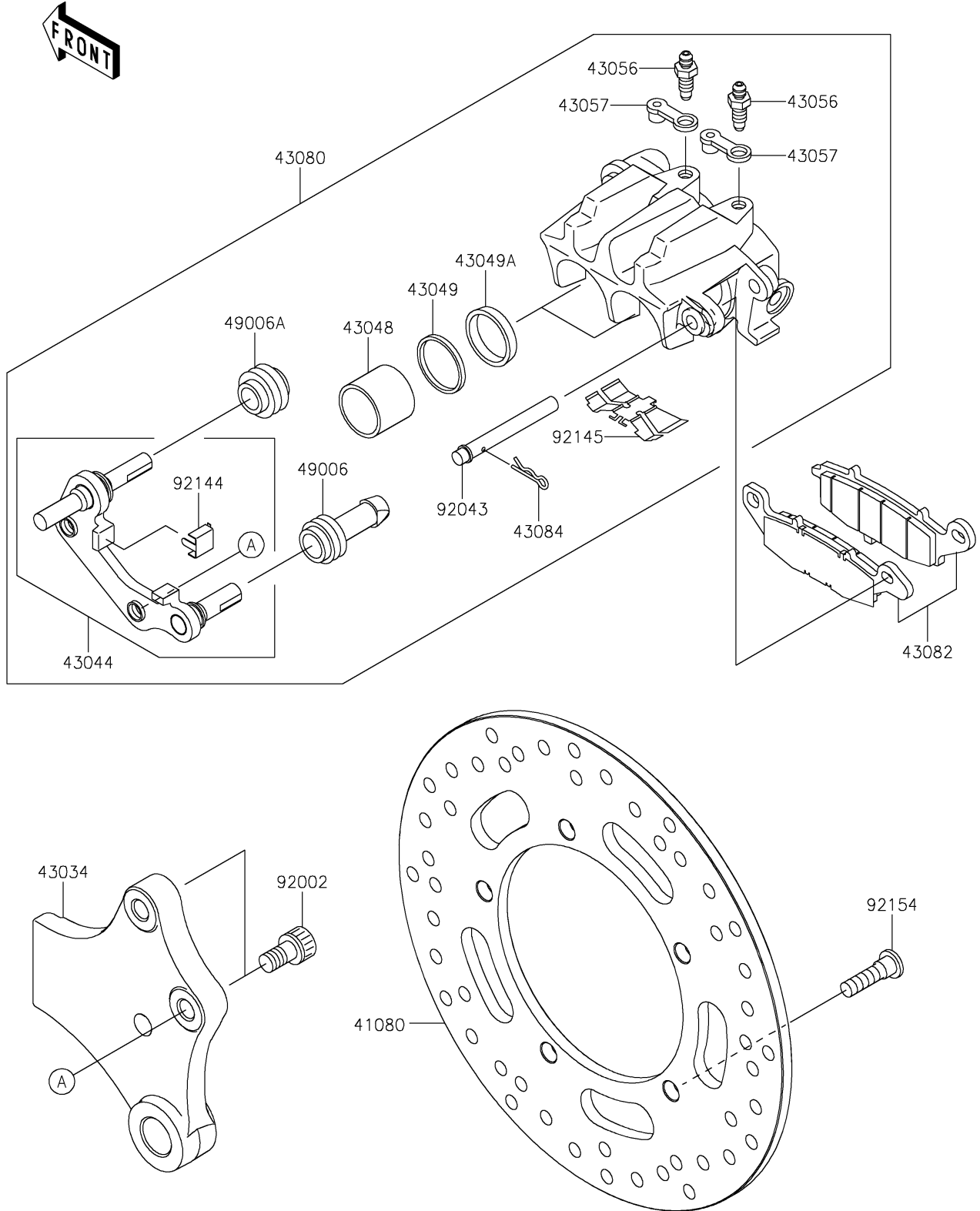


# 2020 VULCAN® 900 CLASSIC PARTS DIAGRAM

Rear Brake

F2294



## 2020 VULCAN® 900 CLASSIC PARTS LIST

### Rear Brake

| ITEM NAME                               | PART NUMBER   | QUANTITY |
|---|---------------|----------|
| DISC,RR,SILVER (Ref # 41080)            | 41080-0093-CM | 1        |
| HOLDER-BRAKE,REAR CALIPER (Ref # 43034) | 43034-0061    | 1        |
| HOLDER-COMP-CALIPER,RR (Ref # 43044)    | 43044-1134    | 1        |
| PISTON-CALIPER (Ref # 43048)            | 43048-1094    | 2        |
| PACKING (Ref # 43049)                   | 43049-1068    | 2        |
| PACKING,PISTON SEAL (Ref # 43049A)      | 43049-1092    | 2        |
| BREATHER-BRAKE (Ref # 43056)            | 43056-0007    | 2        |
| CAP-BREATHER (Ref # 43057)              | 43057-003     | 2        |
| CALIPER-SUB-ASSY,RR,BLACK (Ref # 43080) | 43080-5098-DJ | 1        |
| PAD-ASSY-BRAKE (Ref # 43082)            | 43082-0063    | 1        |
| CLAMP,PAD (Ref # 43084)                 | 43084-003     | 1        |
| BOOT,CALIPER (Ref # 49006)              | 49006-1094    | 1        |
| BOOT,CALIPER (Ref # 49006A)             | 49006-1095    | 1        |
| BOLT,SOCKET,10X17 (Ref # 92002)         | 92002-1713    | 2        |
| PIN,PAD (Ref # 92043)                   | 92043-1640    | 1        |
| SPRING,STOPPER (Ref # 92144)            | 92144-1831    | 1        |
| SPRING,PAD (Ref # 92145)                | 92145-1382    | 1        |
| BOLT,SOCKET,8X30 (Ref # 92154)          | 92154-1865    | 5        |