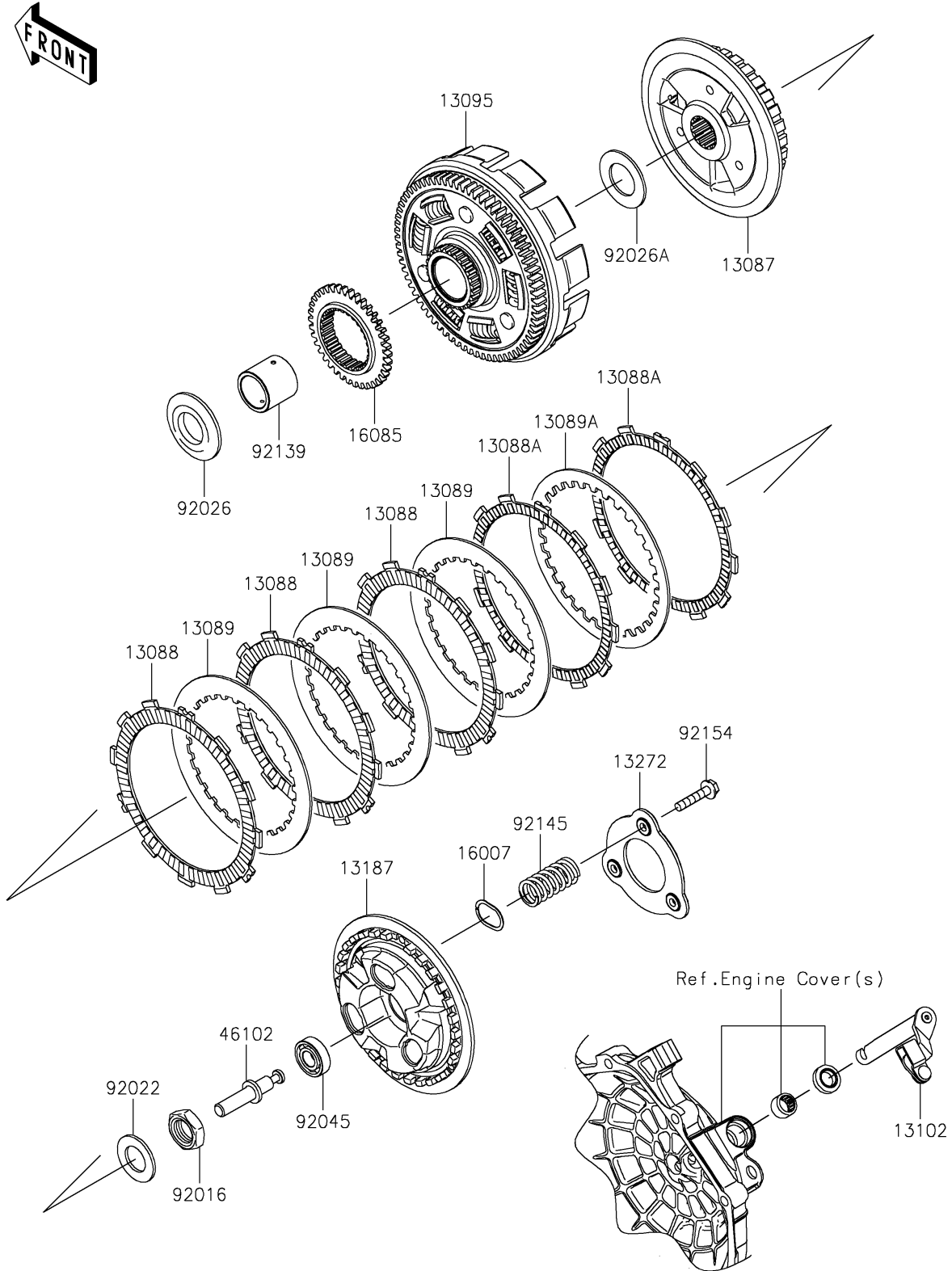


2019 VERSYS[®]-X 300 ABS PARTS DIAGRAM

Clutch

E1350



2019 VERSYS®-X 300 ABS PARTS LIST

Clutch

ITEM NAME	PART NUMBER	QUANTITY
HUB-CLUTCH (Ref # 13087)	13087-0558	1
PLATE-FRICTION (Ref # 13088)	13088-0590	3
PLATE-FRICTION (Ref # 13088A)	13088-0591	2
PLATE-CLUTCH,T=2.0 (Ref # 13089)	13089-0021	3
PLATE-CLUTCH (Ref # 13089A)	13089-0558	1
HOUSING-COMP-CLUTCH (Ref # 13095)	13095-0561	1
RELEASE-COMP-CLUTCH (Ref # 13102)	13102-0073	1
PLATE-CLUTCH OPERATING (Ref # 13187)	13187-0553	1
PLATE (Ref # 13272)	13272-1303	1
SEAT-SPRING (Ref # 16007)	16007-0708	3
GEAR,OILPUMP DRIVE,38T (Ref # 16085)	16085-0133	1
ROD (Ref # 46102)	46102-0573	1
NUT,20MM (Ref # 92016)	92016-028	1
WASHER,20.3X36X2.3 (Ref # 92022)	92022-1116	1
SPACER,25X52X5.5 (Ref # 92026)	92026-0115	1
SPACER,25.5X44.5X2 (Ref # 92026A)	92026-0734	1
BEARING-BALL (Ref # 92045)	92045-0067	1
BUSHING,25X32X29.1 (Ref # 92139)	92139-0916	1
SPRING (Ref # 92145)	92145-1750	3
BOLT,UPSET,6X30 (Ref # 92154)	92154-0997	3